



Yuasa Technical Data Sheet

Yuasa YTX7L-BS - Maintenance Free Battery

Performance

Voltage	12V
Capacity (10-hour)	6Ah
Capacity (20-hour)	6.3Ah
CCA @ -18°C	100A

Dimensions (±2mm)

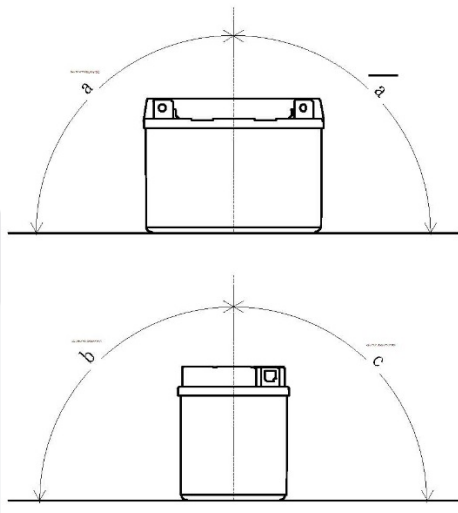
Length	115mm
Width	72mm
Height	132mm

Weights & Measures

Mean Weight with Acid	2.5kg
Acid Volume	0.33l

Mounting Angle

Angle A	30°
Angle B	20°
Angle C	20°



Technology

Separator AGM

Cell Assembly Layout



Terminal Type - 5



Data Sheet generated on 12/12/2016 - E&OE