



Yuasa Technical Data Sheet

Yuasa YTX5L-BS - Maintenance Free Battery

Performance

Voltage	12V
Capacity (10-hour)	4Ah
Capacity (20-hour)	4.2Ah
CCA @ -18°C	80A

Dimensions (±2mm)

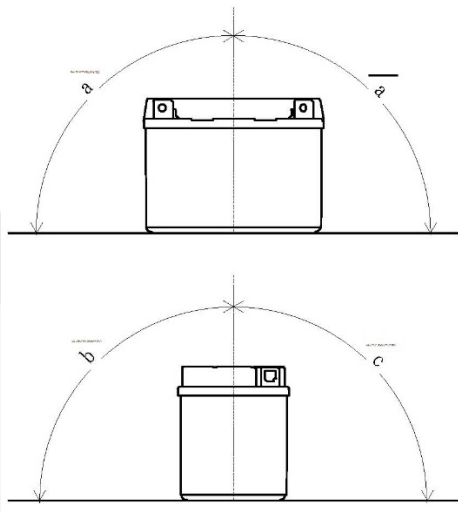
Length	115mm
Width	72mm
Height	107mm

Weights & Measures

Mean Weight with Acid	2kg
Acid Volume	0.24l

Mounting Angle

Angle A	30°
Angle B	20°
Angle C	20°



Technology

Separator AGM

Cell Assembly Layout



Terminal Type - 5



Data Sheet generated on 12/12/2016 - E&OE