



Yuasa Technical Data Sheet

Yuasa YTR4A-BS - Maintenance Free Battery

Performance

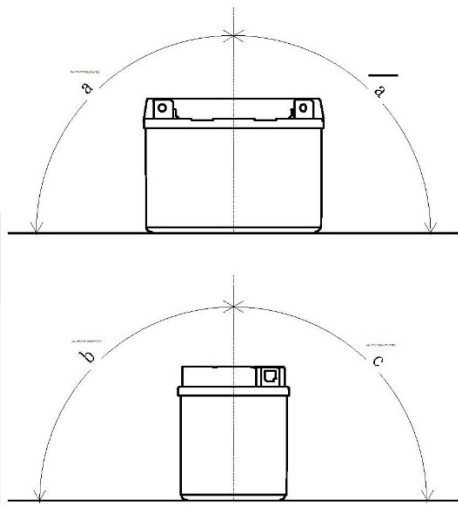
Voltage	12V
Capacity (10-hour)	2.3Ah
Capacity (20-hour)	2.4Ah
CCA @ -18°C	45A

Dimensions (±2mm)

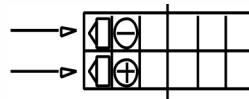
Length	114mm
Width	49mm
Height	86mm

Weights & Measures

Mean Weight with Acid	1.1kg
Acid Volume	0.14l



Cell Assembly Layout



Terminal Type - 12



Data Sheet generated on 12/12/2016 - E&OE