



Yuasa Technical Data Sheet

Yuasa YB18-A - YuMicron Battery

Performance

Voltage	12V
Capacity (10-hour)	18Ah
Capacity (20-hour)	18.9Ah
CCA @ -18°C	215A

Dimensions (±2mm)

Length	180mm
Width	90mm
Height	162mm

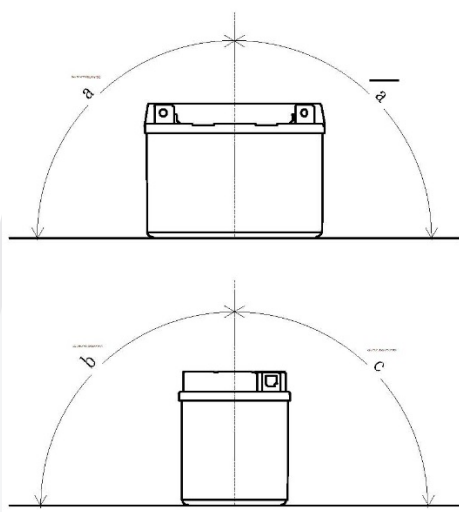
Weights & Measures

Mean Weight with Acid	5.8kg
Acid Volume	1.2l

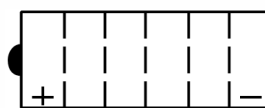


Mounting Angle

Angle A	Vertical only
Angle B	Vertical only
Angle C	Vertical only



Cell Assembly Layout



Terminal Type - 7



Data Sheet generated on 12/12/2016 - E&OE