



## Yuasa Technical Data Sheet

### Yuasa YB14L-A2 - YuMicron Battery

#### Performance

|                    |        |
|--------------------|--------|
| Voltage            | 12V    |
| Capacity (10-hour) | 14Ah   |
| Capacity (20-hour) | 14.7Ah |
| CCA @ -18°C        | 175A   |

#### Dimensions (±2mm)

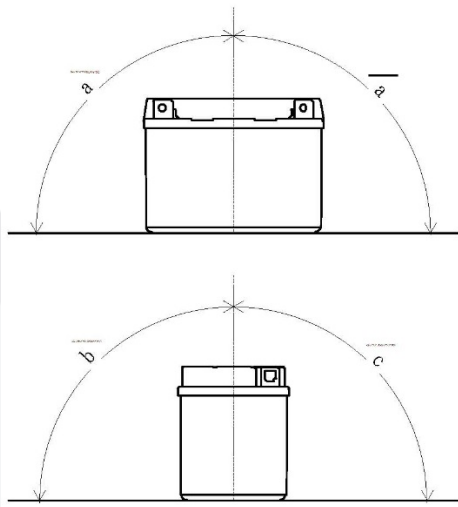
|        |       |
|--------|-------|
| Length | 136mm |
| Width  | 91mm  |
| Height | 168mm |

#### Weights & Measures

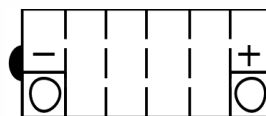
|                       |       |
|-----------------------|-------|
| Mean Weight with Acid | 4.6kg |
| Acid Volume           | 0.9l  |

#### Mounting Angle

|         |               |
|---------|---------------|
| Angle A | Vertical only |
| Angle B | Vertical only |
| Angle C | Vertical only |



#### Cell Assembly Layout



#### Terminal Type - 8



Data Sheet generated on 12/12/2016 - E&OE