



Yuasa Technical Data Sheet

Yuasa TTZ14S - Maintenance Free Battery

Performance

Voltage	12V
Capacity (10-hour)	11.2Ah
Capacity (20-hour)	11.8Ah
CCA @ -18°C	230A

Dimensions (±2mm)

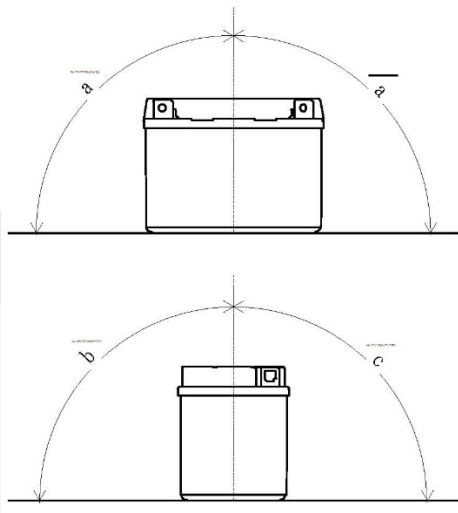
Length	150mm
Width	84mm
Height	110mm

Weights & Measures

Mean Weight with Acid	3.9kg
Acid Volume	0.52l

Mounting Angle

Angle A	30°
Angle B	20°
Angle C	20°

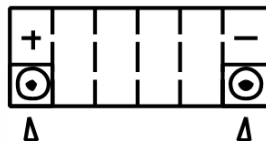


Technology

Technology
Separator

Cast Ca/Ca
AGM

Cell Assembly Layout



Data Sheet generated on 12/12/2016 - E&OE