



Yuasa Technical Data Sheet

Yuasa YB3L-B - YuMicron Battery

Performance

Voltage	12V
Capacity (10-hour)	3Ah
Capacity (20-hour)	3.2Ah
CCA @ -18°C	30A

Dimensions ($\pm 2\text{mm}$)

Length	99mm
Width	57mm
Height	111mm

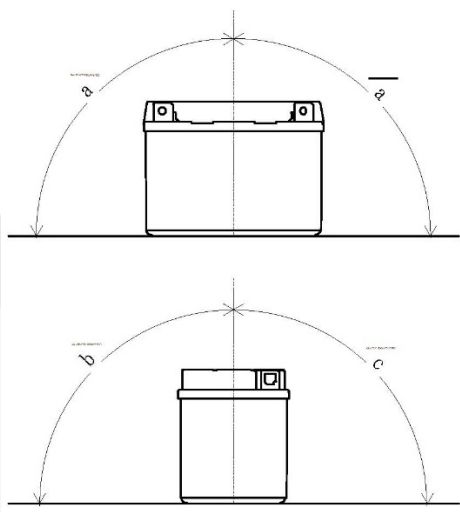
Weights & Measures

Mean Weight with Acid	1.3kg
Acid Volume	0.3l



Mounting Angle

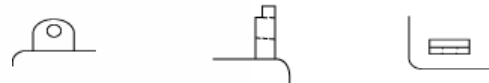
Angle A	Vertical only
Angle B	Vertical only
Angle C	Vertical only



Cell Assembly Layout



Terminal Type - 6



Data Sheet generated on 12/12/2016 - E&OE