



Yuasa Technical Data Sheet

Yuasa 51913 - YuMicron Battery

Performance

| | |
|--------------------|------|
| Voltage | 12V |
| Capacity (10-hour) | -Ah |
| Capacity (20-hour) | 19Ah |
| CCA @ -18°C | 100A |

Dimensions (±2mm)

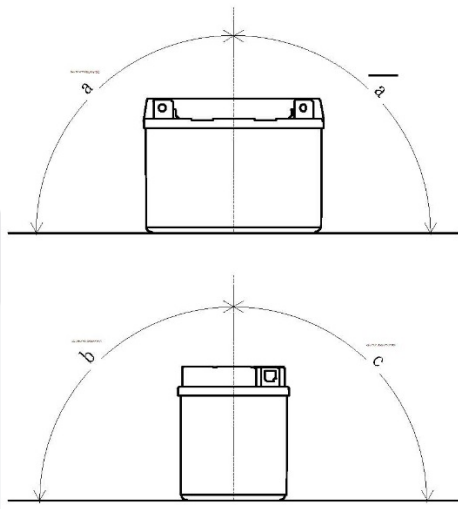
| | |
|--------|-------|
| Length | 186mm |
| Width | 82mm |
| Height | 171mm |

Weights & Measures

| | |
|-----------------------|-------|
| Mean Weight with Acid | 5.6kg |
| Acid Volume | 1l |

Mounting Angle

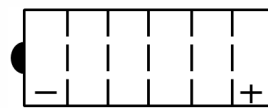
| | |
|---------|---------------|
| Angle A | Vertical only |
| Angle B | Vertical only |
| Angle C | Vertical only |



Technology

Technology Cast Sb/Ca

Cell Assembly Layout



Terminal Type - 10



Data Sheet generated on 12/12/2016 - E&OE