



Yuasa Technical Data Sheet

Yuasa YTX24HL-BS - High Performance Maintenance Free Battery

Performance

Voltage	12V
Capacity (10-hour)	21Ah
Capacity (20-hour)	22.1Ah
CCA @ -18°C	350A

Dimensions (±2mm)

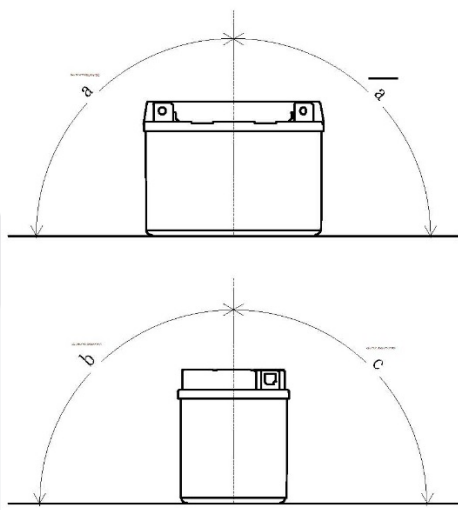
Length	205mm
Width	87mm
Height	162mm

Weights & Measures

Mean Weight with Acid	7.9kg
Acid Volume	0.99l

Mounting Angle

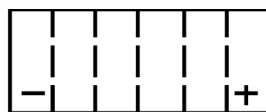
Angle A	30°
Angle B	20°
Angle C	20°



Technology

Separator AGM

Cell Assembly Layout



Terminal Type - 4



Data Sheet generated on 12/12/2016 - E&OE