



Yuasa Technical Data Sheet

Yuasa YB16-B-CX - YuMicron CX Battery

Performance

Voltage	12V
Capacity (10-hour)	19Ah
Capacity (20-hour)	20Ah
CCA @ -18°C	255A

Dimensions (±2mm)

Length	175mm
Width	100mm
Height	155mm

Weights & Measures

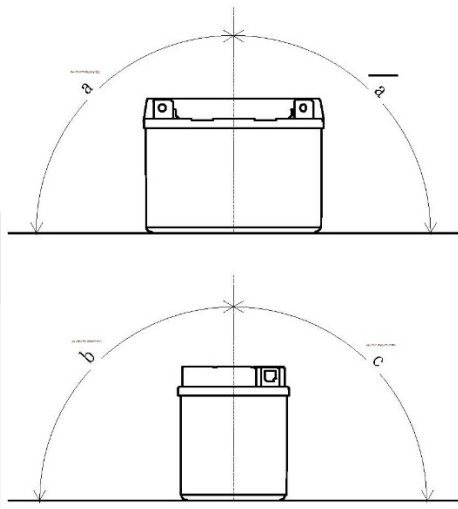
Mean Weight with Acid	6.3kg
Acid Volume	1.2l

Mounting Angle

Angle A	Vertical only
Angle B	Vertical only
Angle C	Vertical only



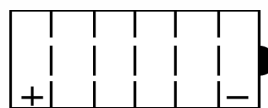
For Illustration Purposes Only



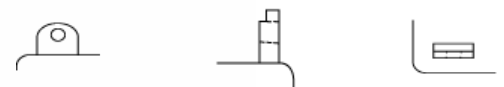
Technology

Technology Cast/Exp Ca/Ca

Cell Assembly Layout



Terminal Type - 6



Data Sheet generated on 12/12/2016 - E&OE