



## Yuasa Technical Data Sheet

### Yuasa YTX20HL-BS - High Performance Maintenance Free Battery

#### Performance

Voltage	12V
Capacity (10-hour)	18Ah
Capacity (20-hour)	18.9Ah
CCA @ -18°C	310A

#### Dimensions (±2mm)

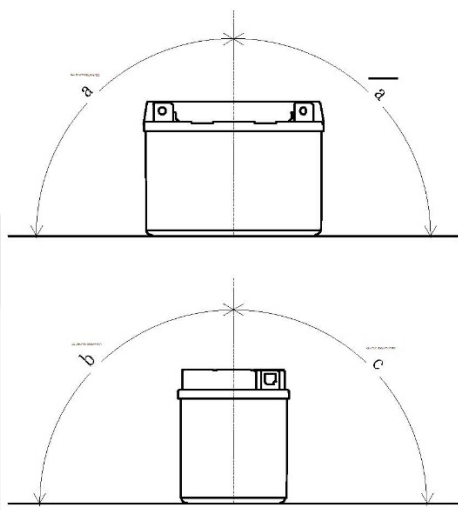
Length	175mm
Width	87mm
Height	155mm

#### Weights & Measures

Mean Weight with Acid	6.3kg
Acid Volume	0.93l

#### Mounting Angle

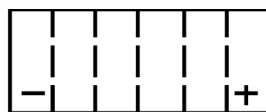
Angle A	30°
Angle B	20°
Angle C	20°



#### Technology

Separator AGM

#### Cell Assembly Layout



#### Terminal Type - 4



Data Sheet generated on 12/12/2016 - E&OE