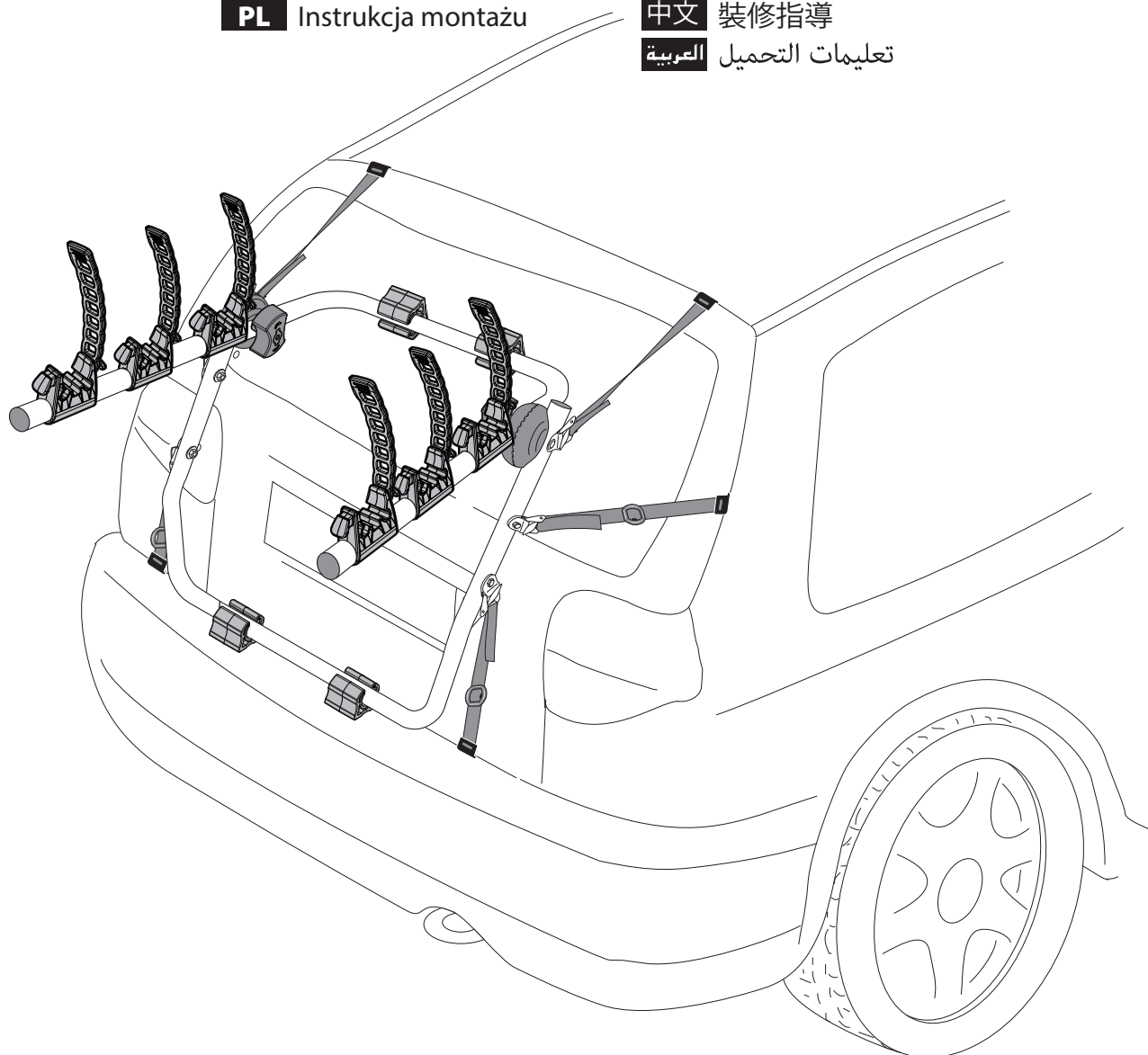


# MENABO

## MISTRAL

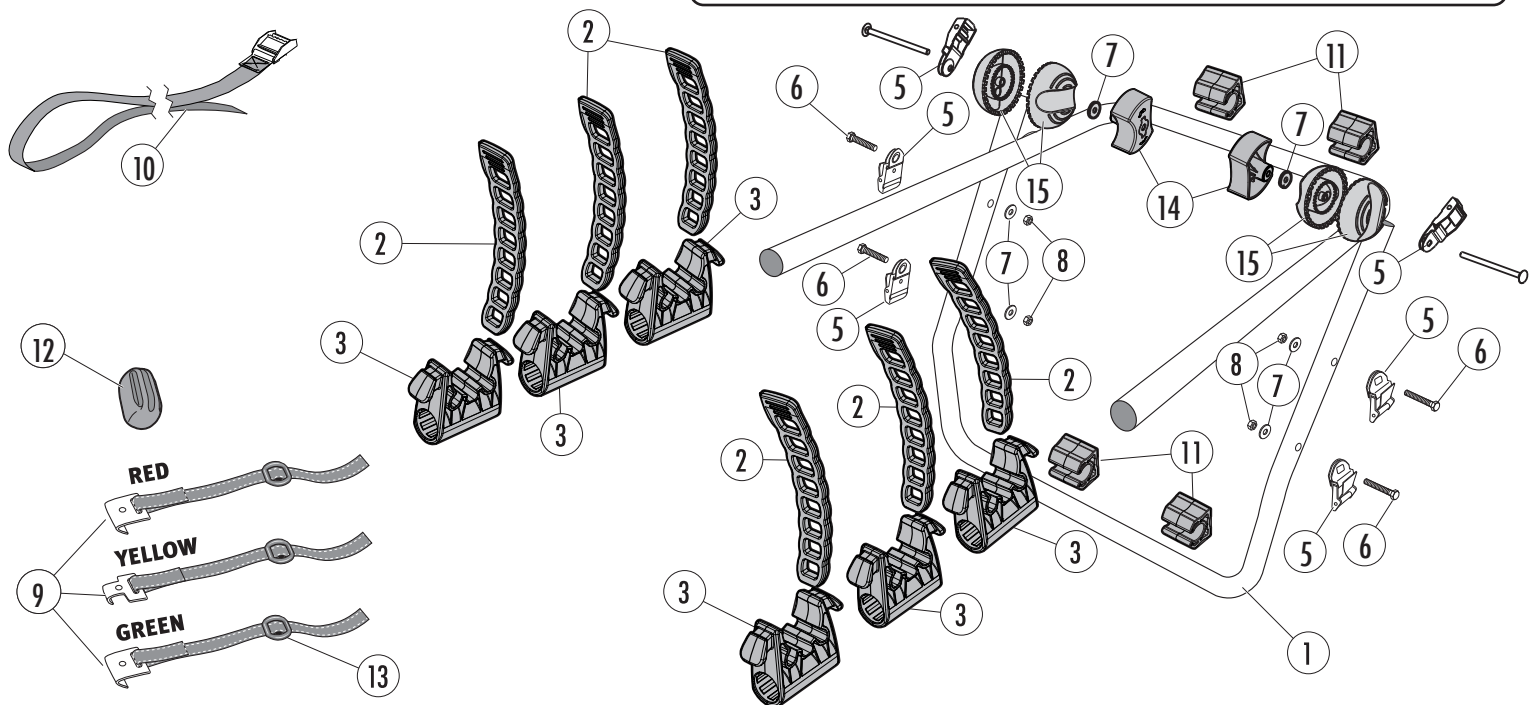
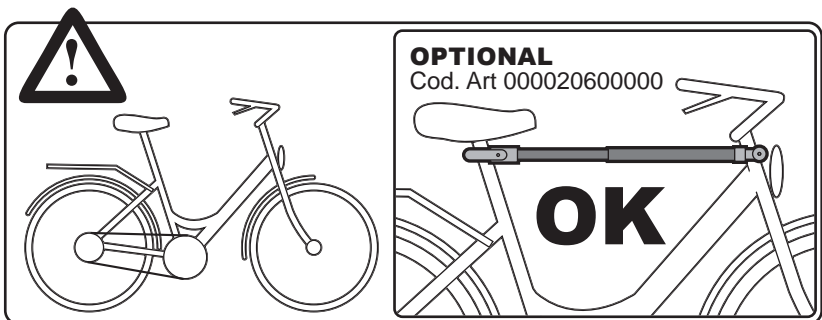
## HORNET

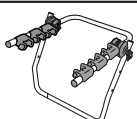

- |            |                             |                |                          |
|------------|-----------------------------|----------------|--------------------------|
| <b>I</b>   | Istruzioni per il montaggio | <b>RU</b>      | Инструкции по установке  |
| <b>GB</b>  | Fitting instructions        | <b>CZ</b>      | Návod na montáž          |
| <b>D</b>   | Montageanleitung            | <b>SK</b>      | Návod na montáž          |
| <b>F</b>   | Instructions de montage     | <b>SLO</b>     | Navodila za pritrjevanje |
| <b>E</b>   | Instrucciones de montaje    | <b>HR</b>      | Uputa za sastavljanje    |
| <b>NL</b>  | Montage-instructies         | <b>HU</b>      | A felszerelés módja      |
| <b>PT</b>  | Instruções de Montagem      | <b>GR</b>      | Οδηγίες συναρμολόγησης   |
| <b>S</b>   | Monteringsanvisning         | <b>DK</b>      | Monteringsvejledning     |
| <b>FIN</b> | Asennusohje                 | <b>RO</b>      | Instrucțiuni de montare  |
| <b>EST</b> | Paigaldusjuhend             | <b>TK</b>      | Uydurma talimat          |
| <b>LAT</b> | Stiprināšanas instrukcija   | <b>DK</b>      | Montering instruktion    |
| <b>LIT</b> | Pritvirtinimo instrukcijos  | <b>N</b>       | Monteringsveiledning     |
| <b>PL</b>  | Instrukcja montażu          | <b>中文</b>      | 裝修指導                     |
|            |                             | <b>العربية</b> | تعليمات التحميل          |

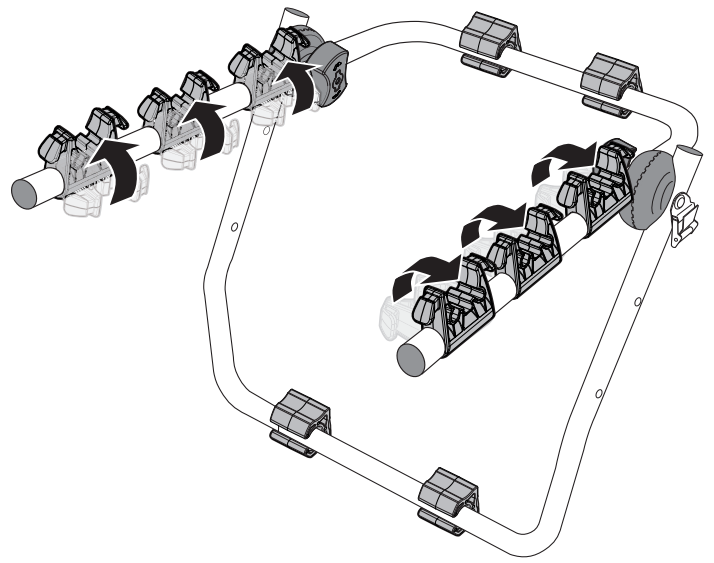
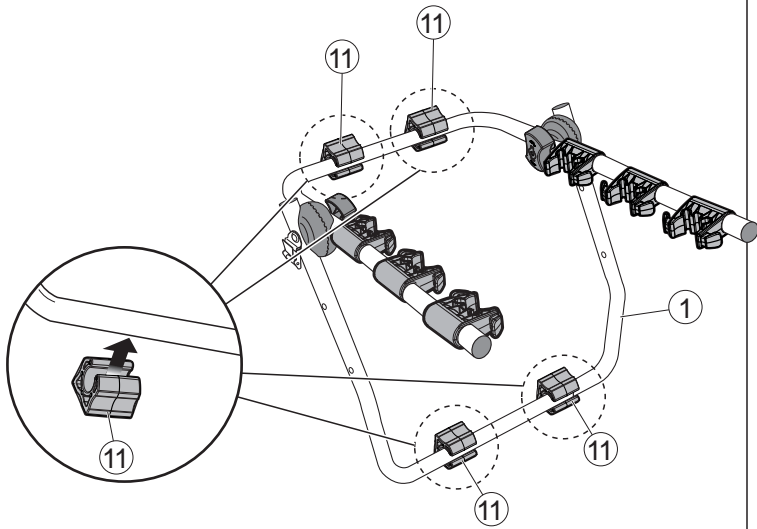


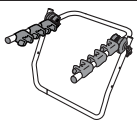

N.	I Componenti (Inclusi)		Q.
	GB Components (Included)	F Composants (Comprises)	
1			1
2			6
5			4
6			4
7			4
8			4
9		RED 	2
		YELLOW 	2
		GREEN 	2
10			1
11			4
12			4
13			4

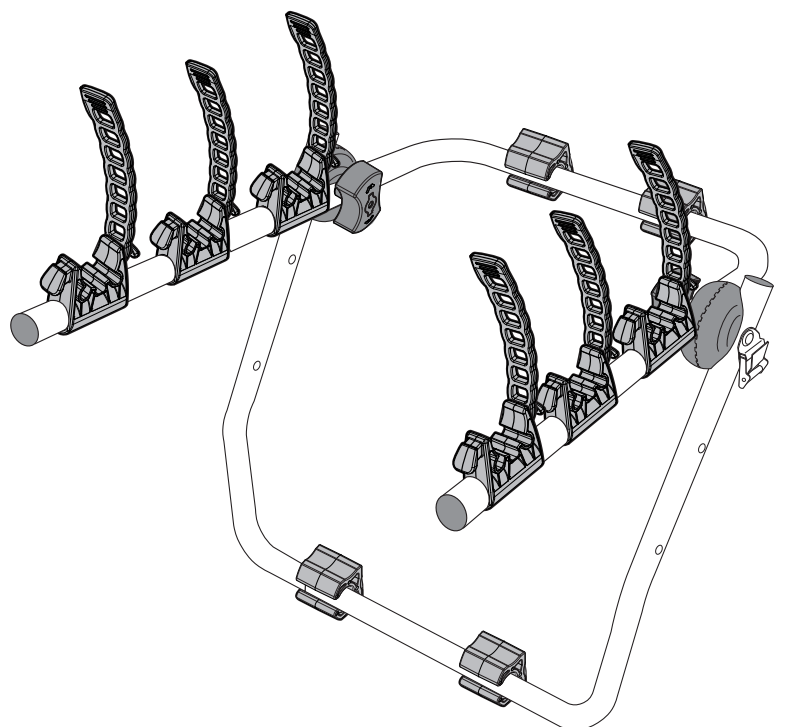
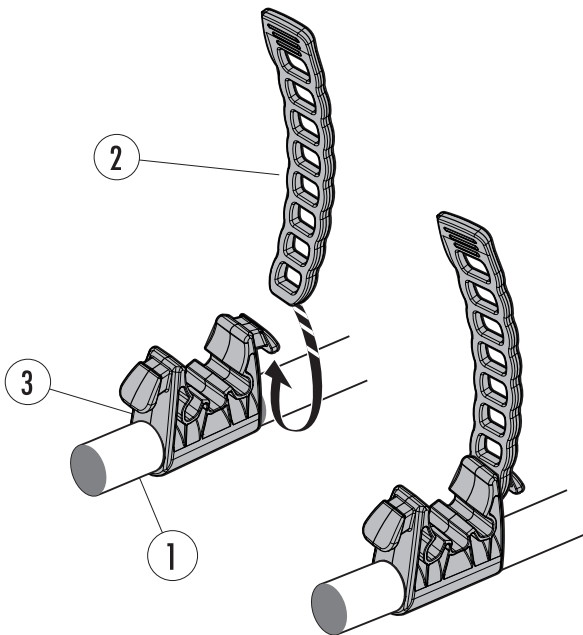
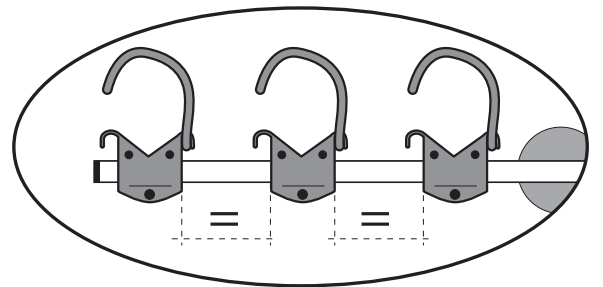
N.	I Ricambi (A Richiesta)		Q.	Codice Code Code Code Código код
	GB Spare Parts (Made to order)	F Pièces de rechange (Sur commande)		
2			1	700016900000
3			1	
5			4	700001800000
6			4	
7			4	
8			4	
9			1	700002200000
10			1	700001100000
11			1	700015600000
12			4	700002600000
13			2	700002400000
14			1	700017000000
15			2	700002000000

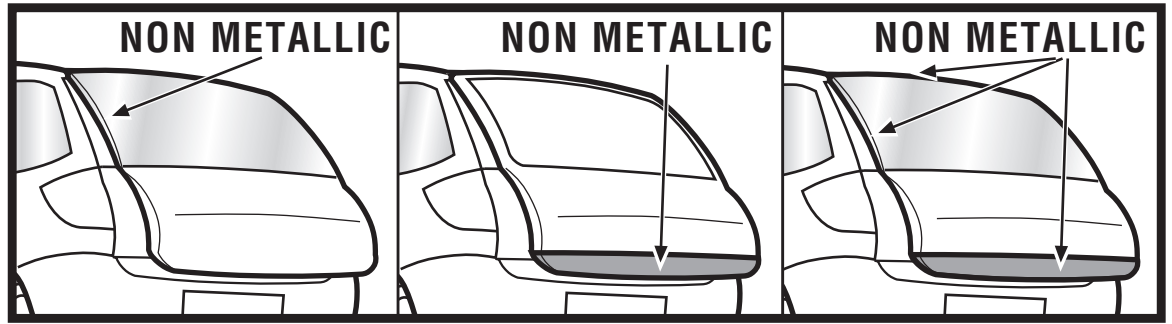



N.		Q.
1		1
11		4

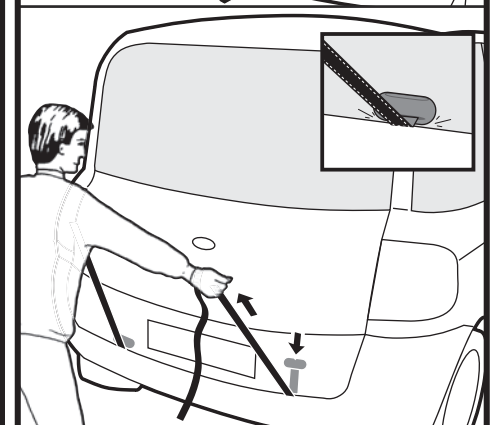
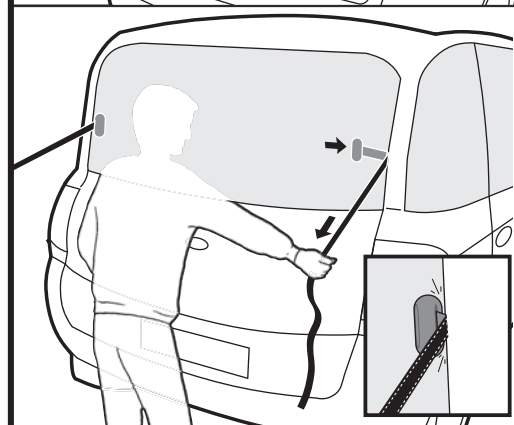
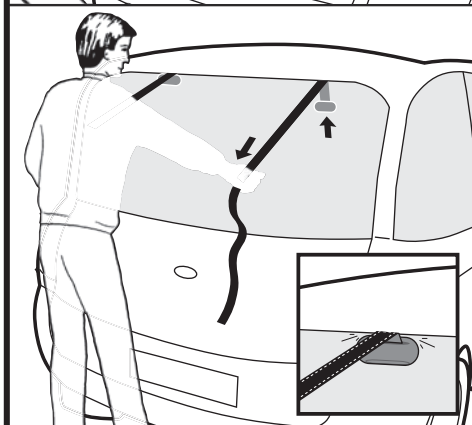
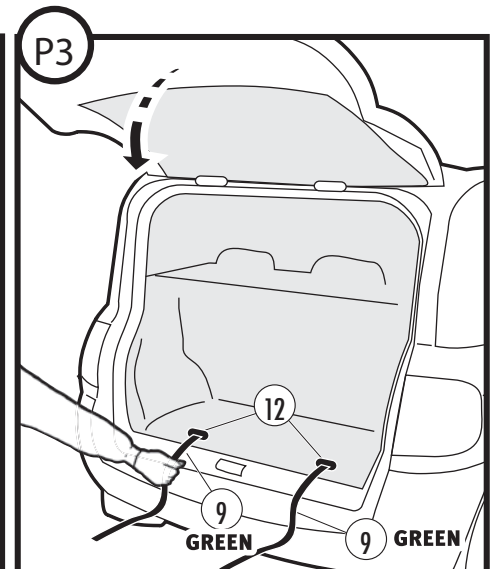
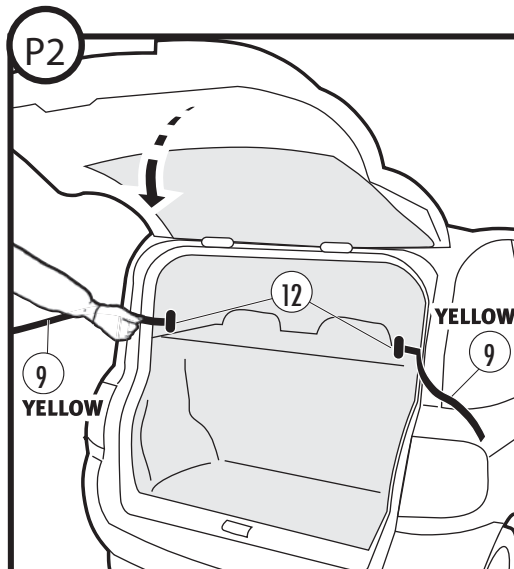
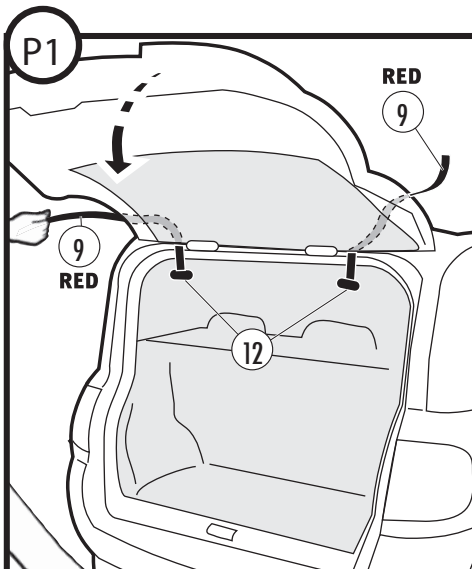
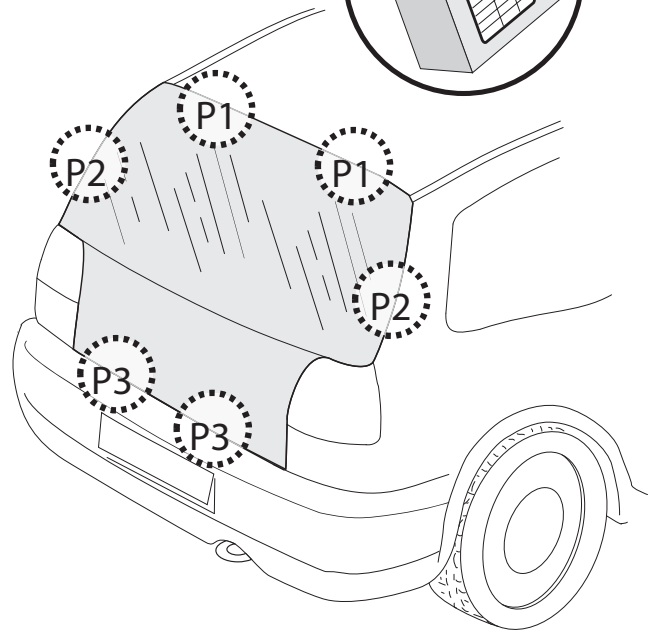
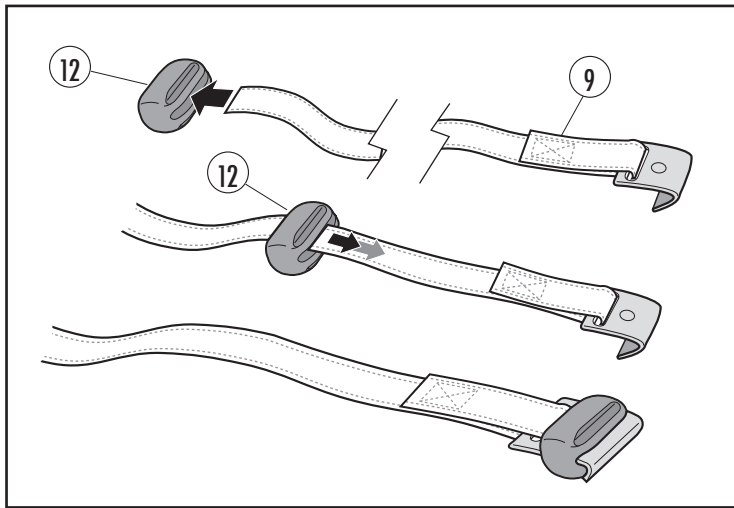
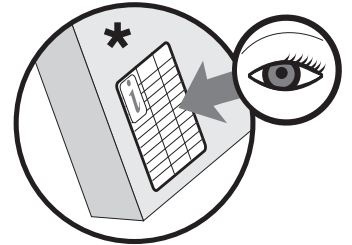


N.		Q.
1		1
2		6

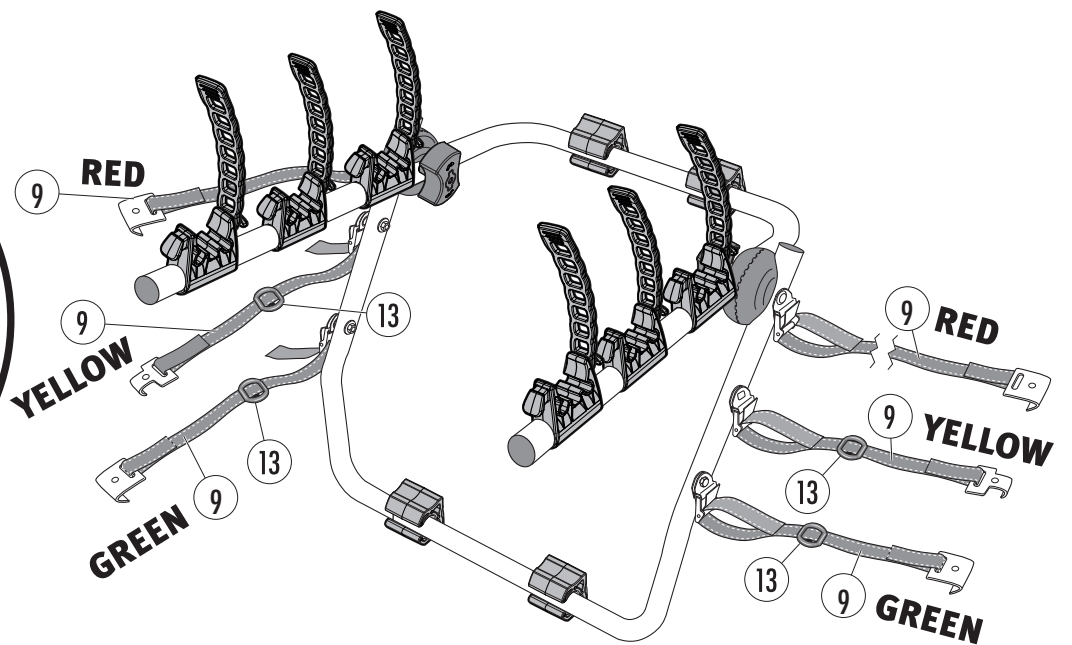
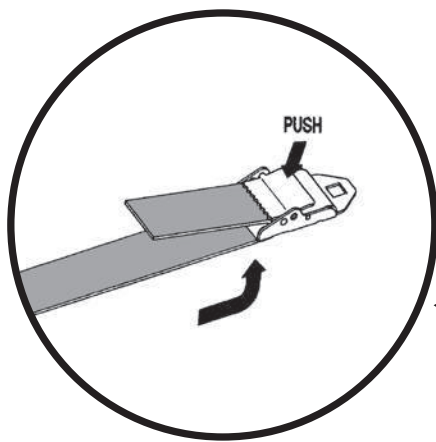
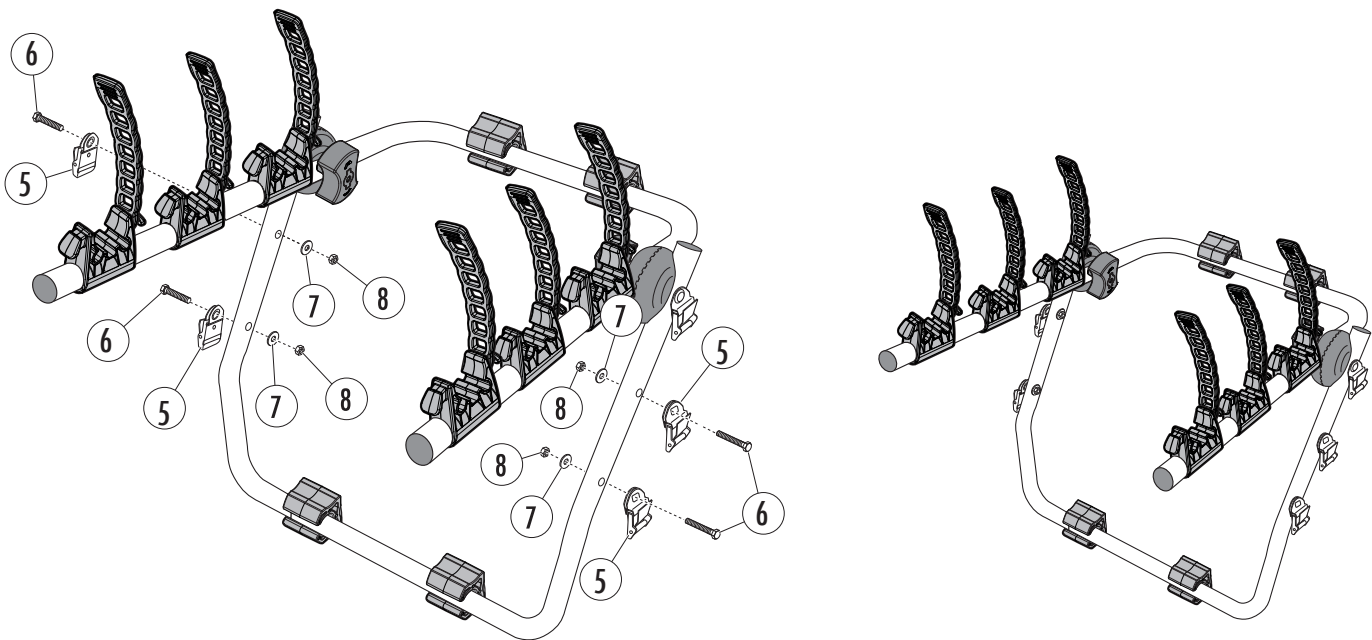




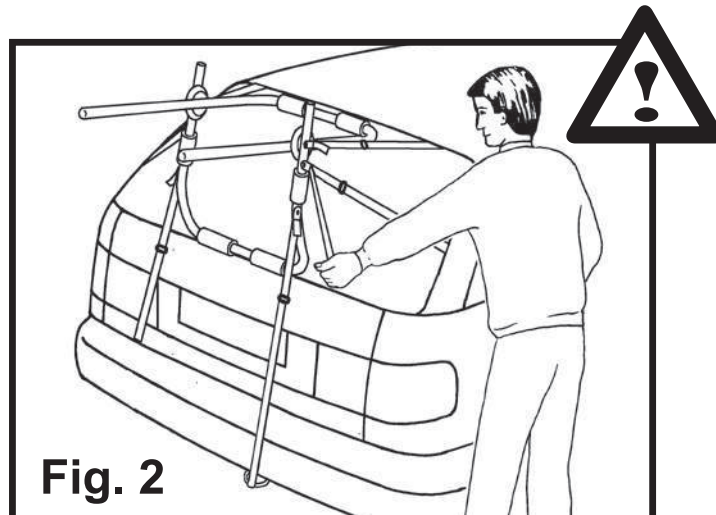
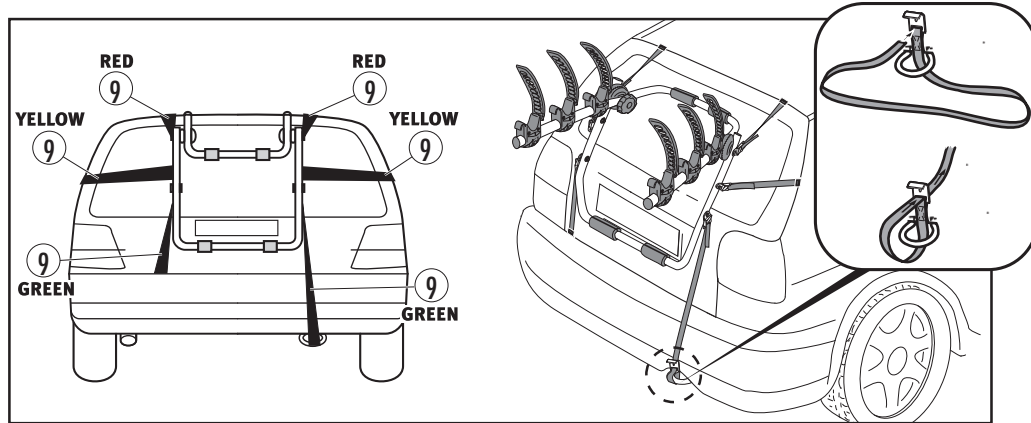
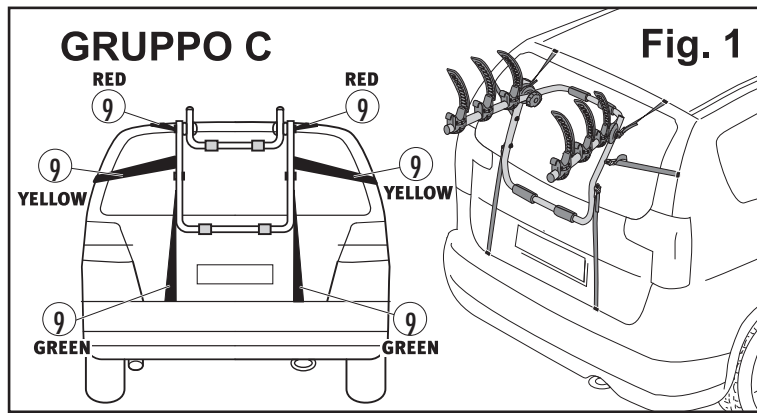
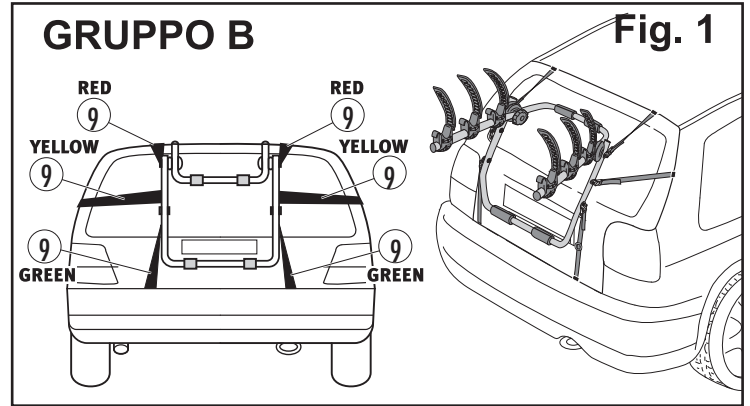
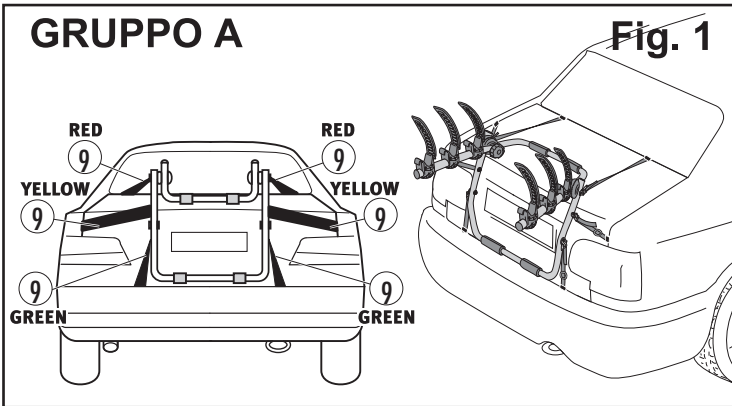
N.		Q.
12	 *	2/4

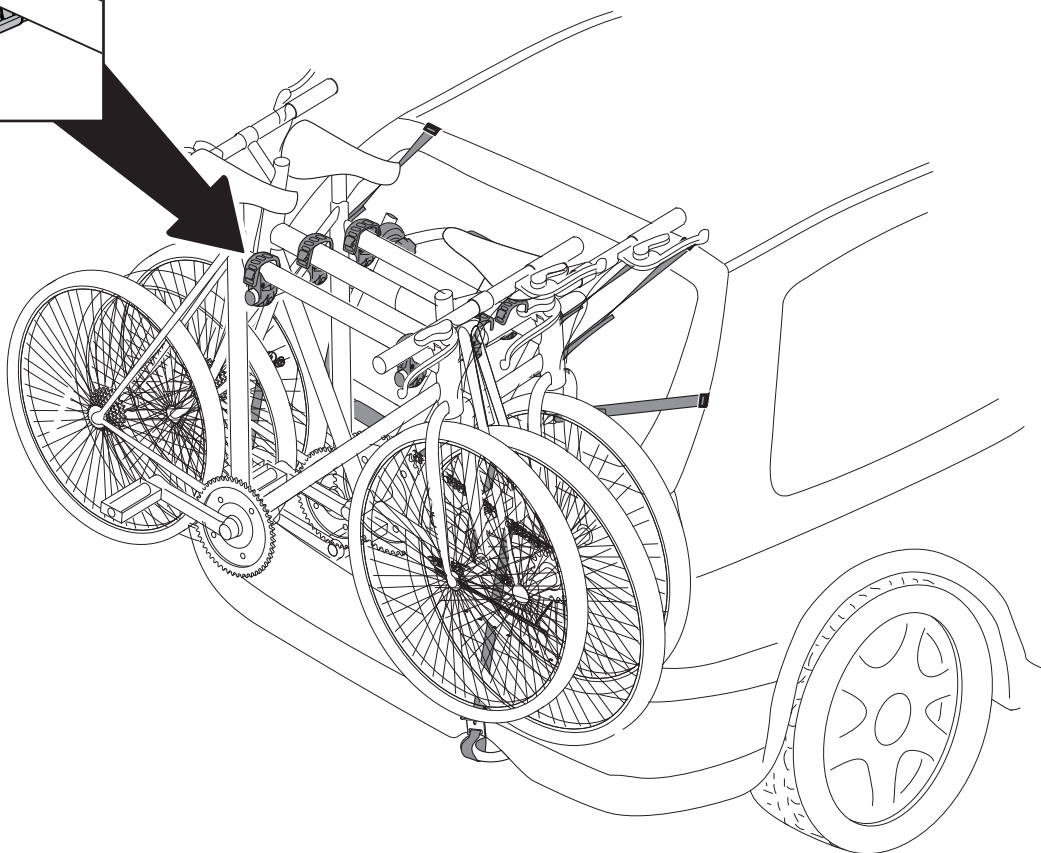
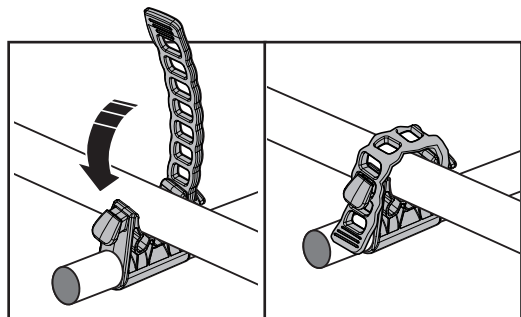



N.		Q.	
8		4	
6		4	
5		4	
7		4	
9		<b>RED</b> 	2
		<b>YELLOW</b> 	2
		<b>GREEN</b> 	2
13		4	

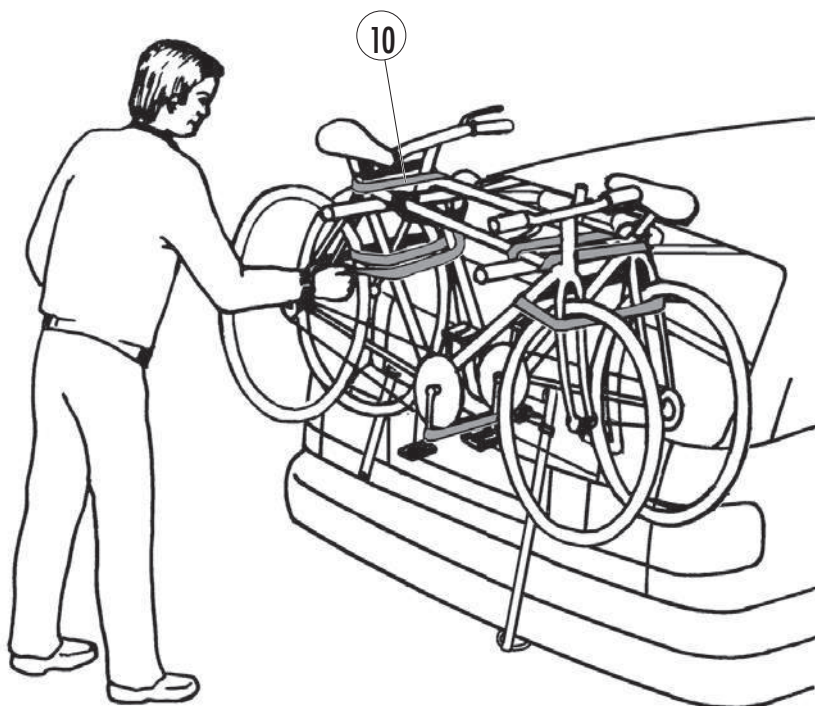


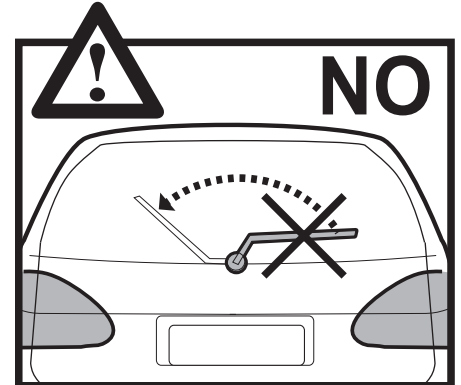
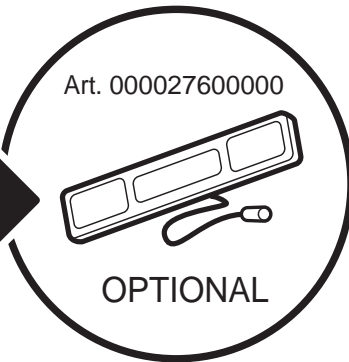
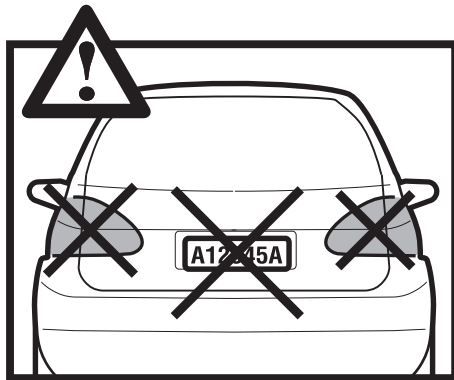
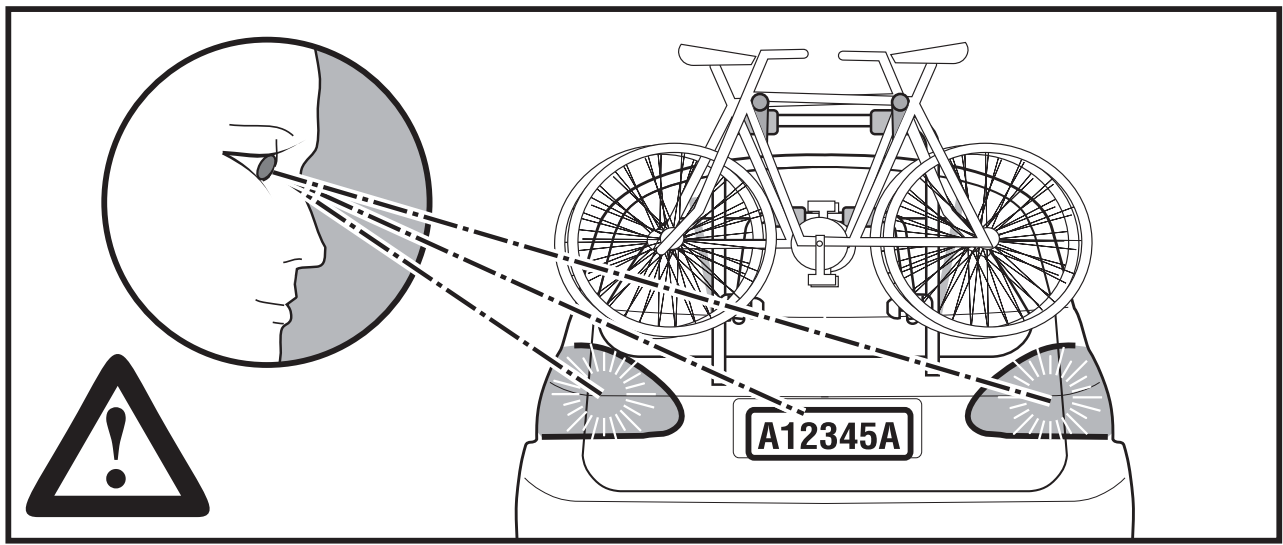






N.		Q.
10	 ~2,5MT	1





	Kg		
			+
<b>MISTRAL</b>	<b>4,4 kg</b>		<b>MAX 15 kg</b>
<b>HORNET</b>			<b>MAX 45 kg</b>

Cod. Art.	Cod. istr.	Data	Creato da	Approvata da
000009000000	100021400002	03/06/2015	NP	EL
000009000000				

**MENABO**

Via 8 Marzo, 3 - Z.I. Corte tegge  
 42025 CAVRIAGO (RE) ITALY  
 Tel. +39-0522/942840 r.a. - 942798  
 Fax +39-0522/942948

e-mail: info@fli-menabo.it - http://www.fli-menabo.it

