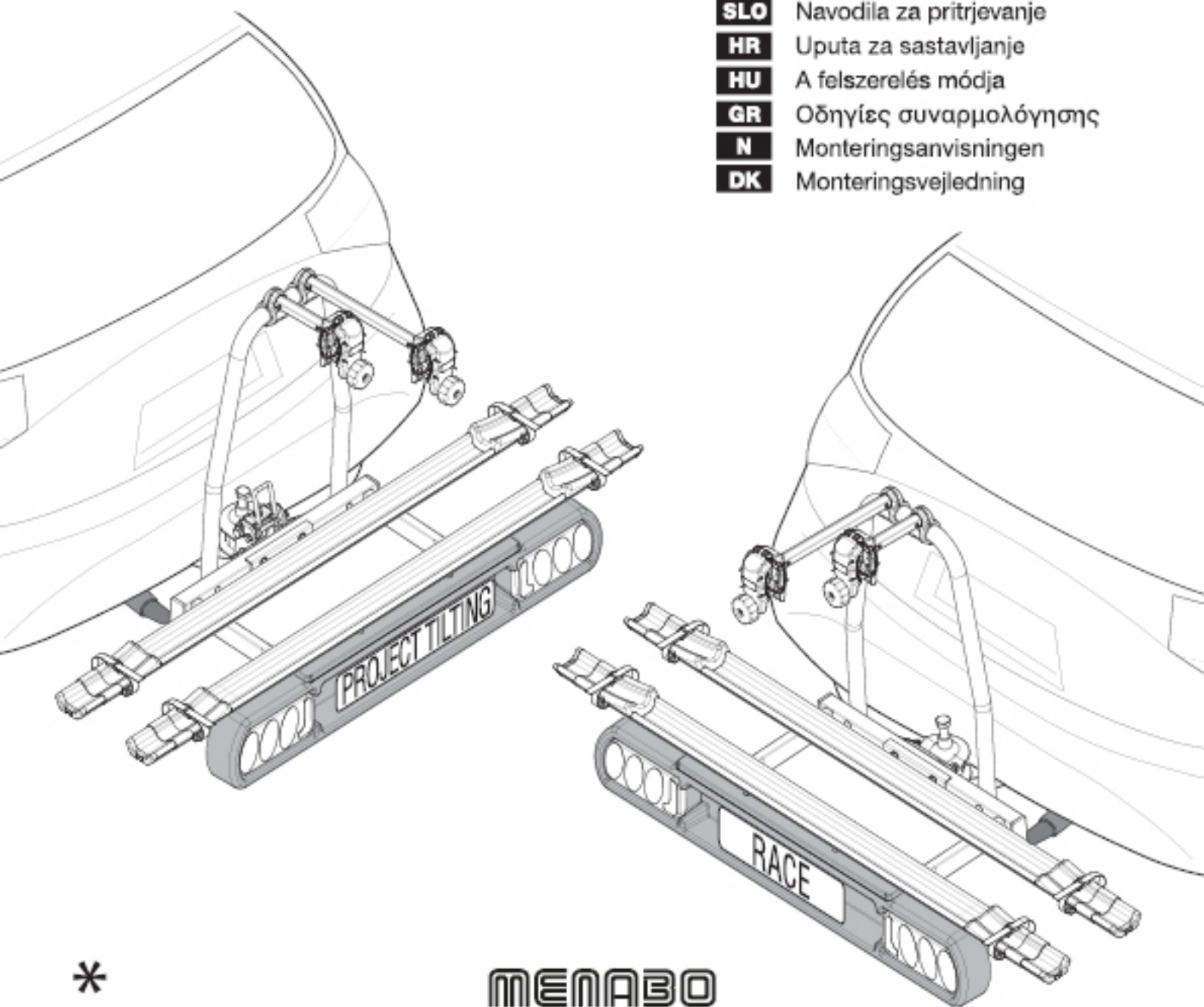


MENABO

RACE 2

PROJECT TILTING 2

I	Istruzioni per il montaggio
GB	Fitting instructions
D	Montageanleitung
F	Instructions de montage
E	Instrucciones de montaje
NL	Montage-instructies
PT	Instruções de Montagem
S	Monteringsanvisning
FIN	Asennusohje
EST	Paigaldusjuhend
LAT	Stiprināšanas instrukcija
LIT	Pritvirtinimo instrukcijos
PL	Instrukcja montażu
RU	Инструкции по установке
CZ	Návod na montáž
SK	Návod na montáž
SLO	Navodila za pritrjevanje
HR	Uputa za sastavljanje
HU	A felszerelés módja
GR	Οδηγίες συναρμολόγησης
N	Monteringsanvisningen
DK	Monteringsvejledning



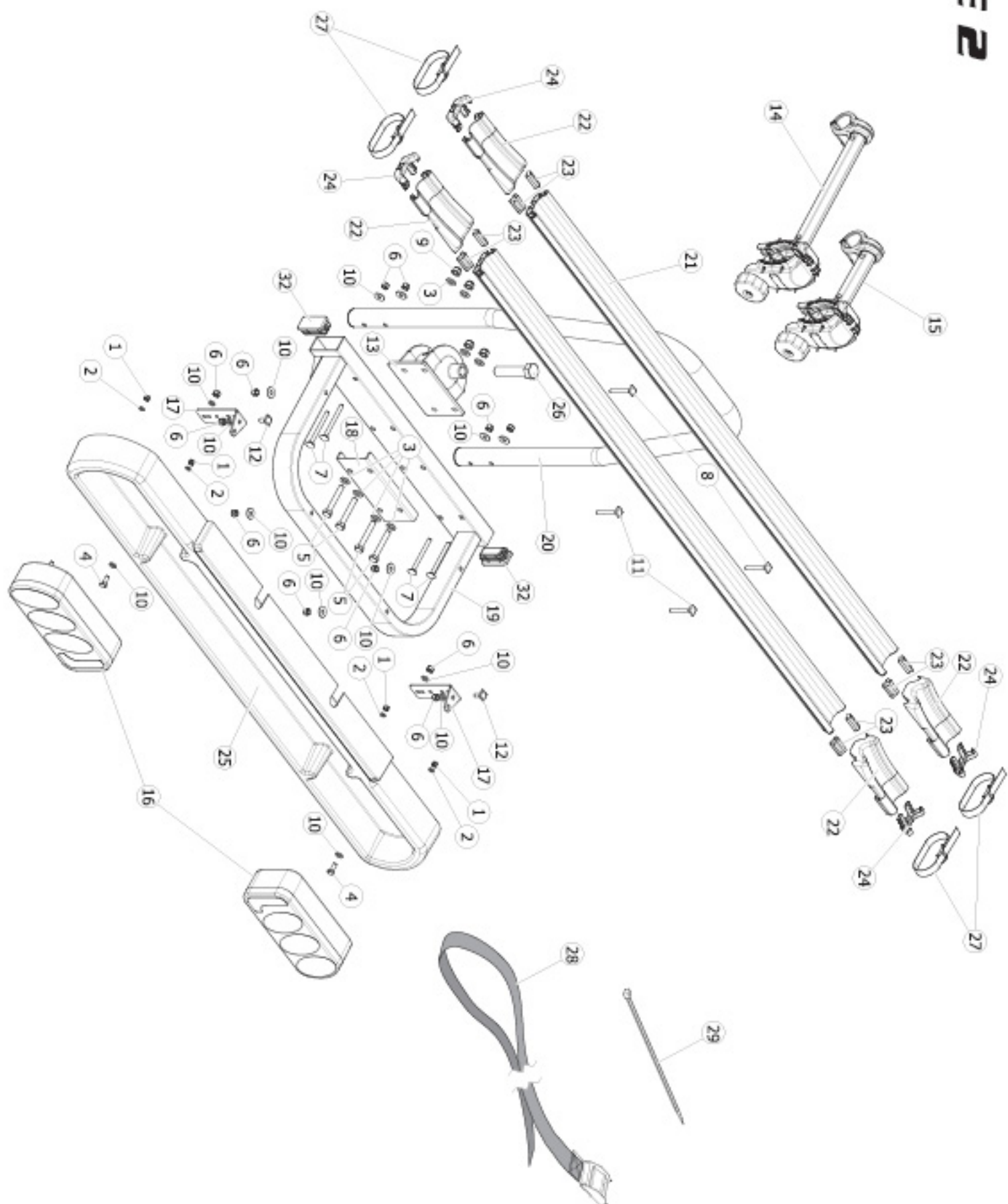
*

MENABO

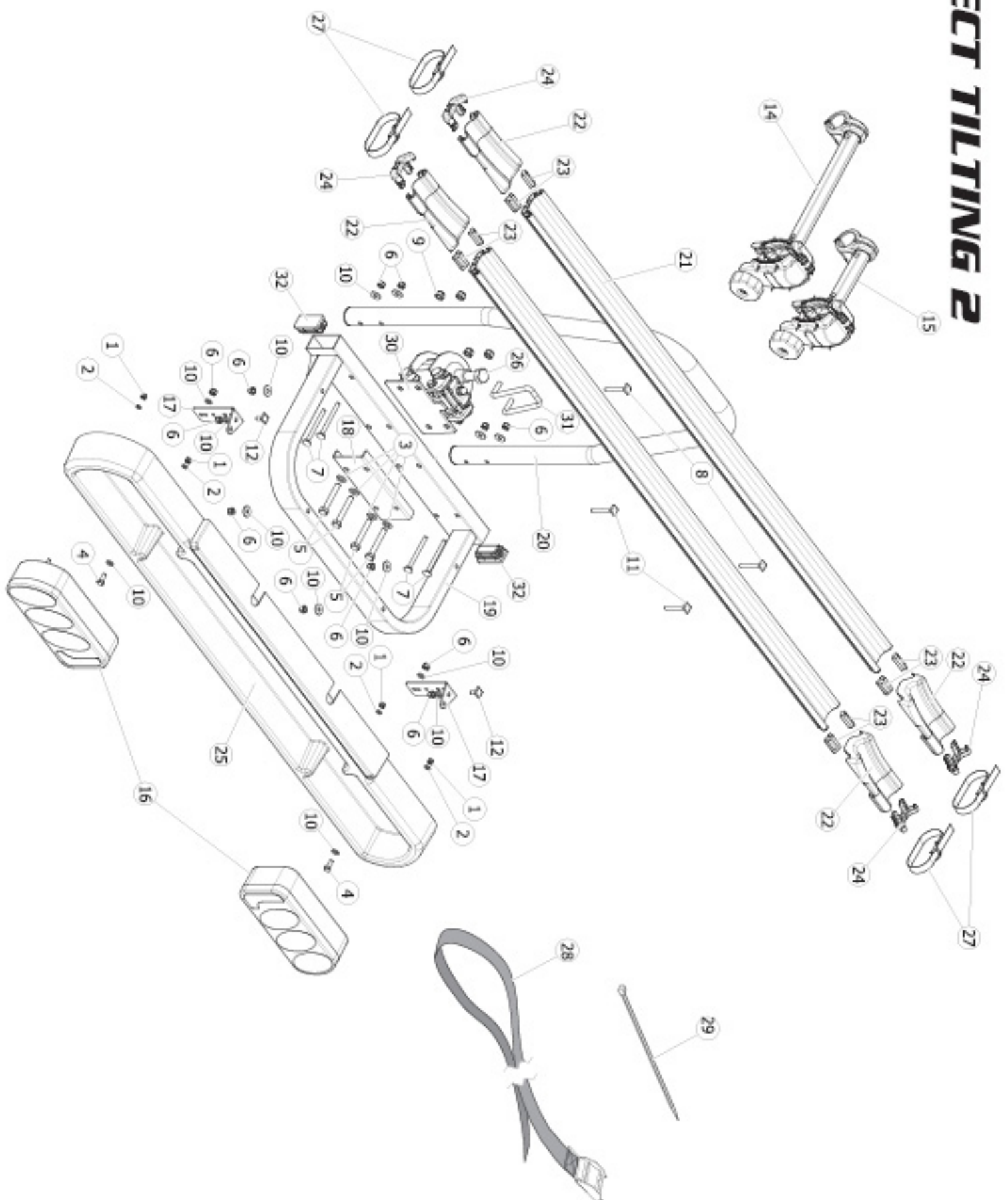
N.	<ul style="list-style-type: none"> Componenti (Inclusi) Components (Included) Composants (Compris) Die Komponenten (in Lieferumfang enthalten) Componentes (Incluido) Комплект (в комплекте) 	RACE	PROJECT TILTING
		Q.	Q.
1	M5	4	4
2	M5	4	4
3	M8	8	4
4	M6x14	2	2
5	M8x50	4	4
6	M6	12	12
7	M6x70	4	4
8	6x50	2	2
9	M8	4	4
10	M6x18	14	14
11	6x60	2	2
12	6x14	2	2
13	-	1	-
14	1	1	1
15	1	1	1
16	1	1	1
17	2	2	2
18	1	1	1
19	1	1	1
20	1	1	1
21	2	2	2
22	4	4	4
23	8	8	8
24	4	4	4
25	1	1	1
26	M16x70	1	1
27	4	4	4
28	MT 2,5	1	1
29	2	2	2
30	-	-	1
31	-	-	1

N.	<ul style="list-style-type: none"> Ricambi (A richiesta) Spare Parts (Made to order) Pièces de rechange (Sur commande) Teile (auf Anfrage) Piezas de recambio (Previo solicitud) Запасные части (по запросу) 	RACE	PROJECT TILTING	Codice Code Code Código код
		Q.	Q.	
1	M5	4	4	700002800000
2	M5	4	4	
3	M8	8	8	
4	M6x14	2	2	
5	M8x50	4	4	
6	M6	12	12	700002300000
7	M6x70	4	4	
8	6x50	2	2	
9	M8	4	4	700002900000
10	M6x18	14	14	
11	6x60	2	2	
12	6x14	2	2	
13	-	1	-	700003000000
14	1	1	1	700003100000
15	1	1	1	700003200000
16	1	1	1	700003300000
17	2	2	2	700003400000
18	1	1	1	700003500000
22	1	1	1	700003800000
23	2	2	2	
24	2	2	2	700003900000
25	1	1	1	700004000000
26	M16x70	1	1	700004100000
27	3	3	3	700003600000
28	MT 2,5	1	1	700001100000
30	-	-	1	700011500000
31	-	-	1	700004300000
32	2	2	2	700003700000

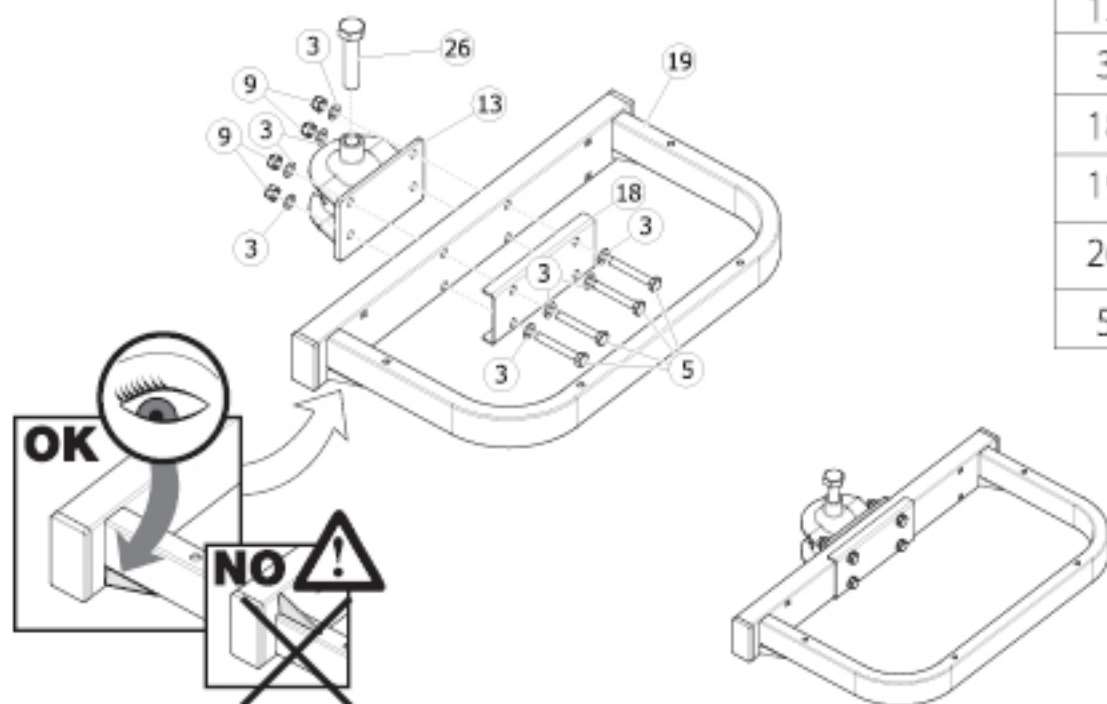
RACE 2



PROJECT TILTING 2

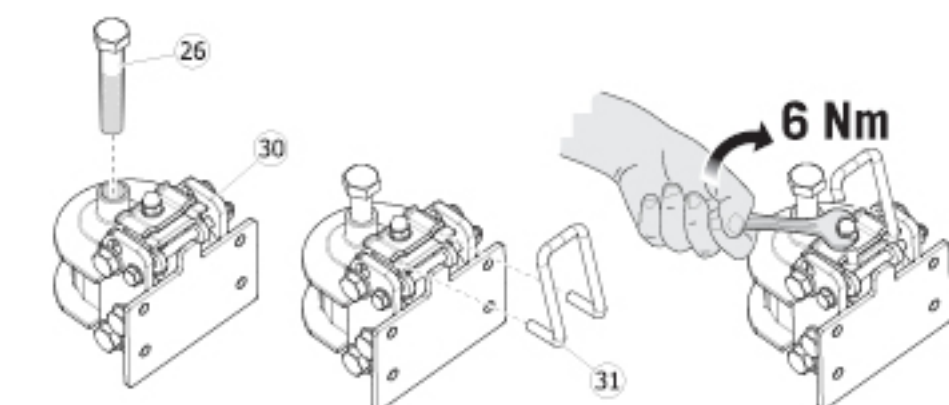


RACE 2

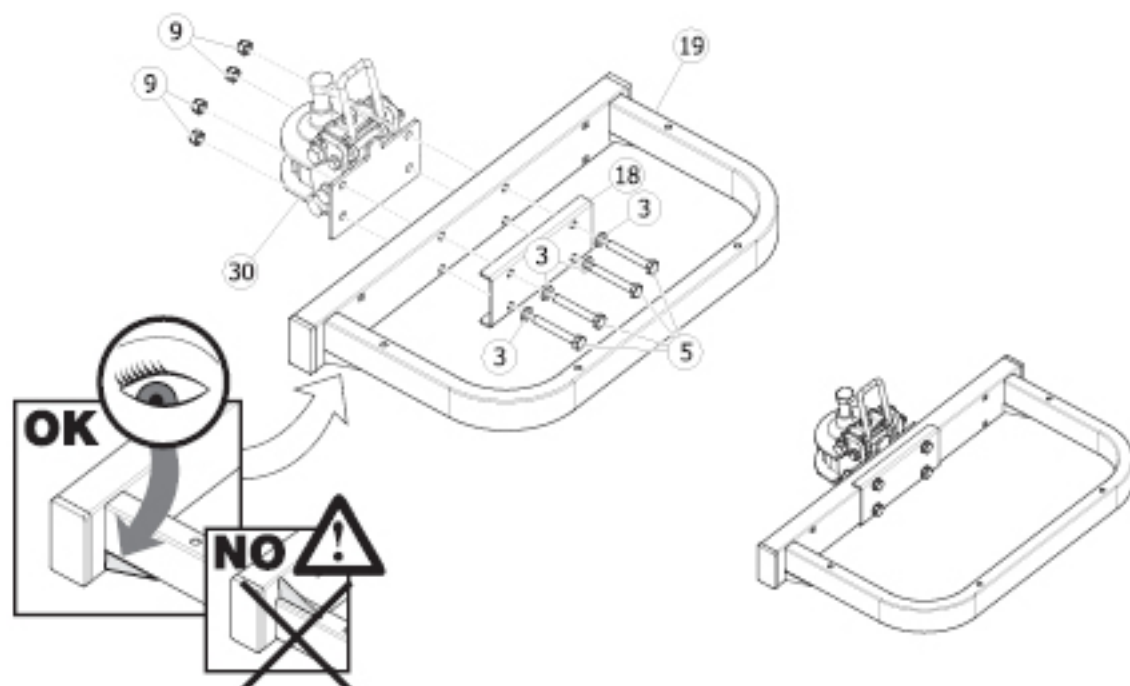


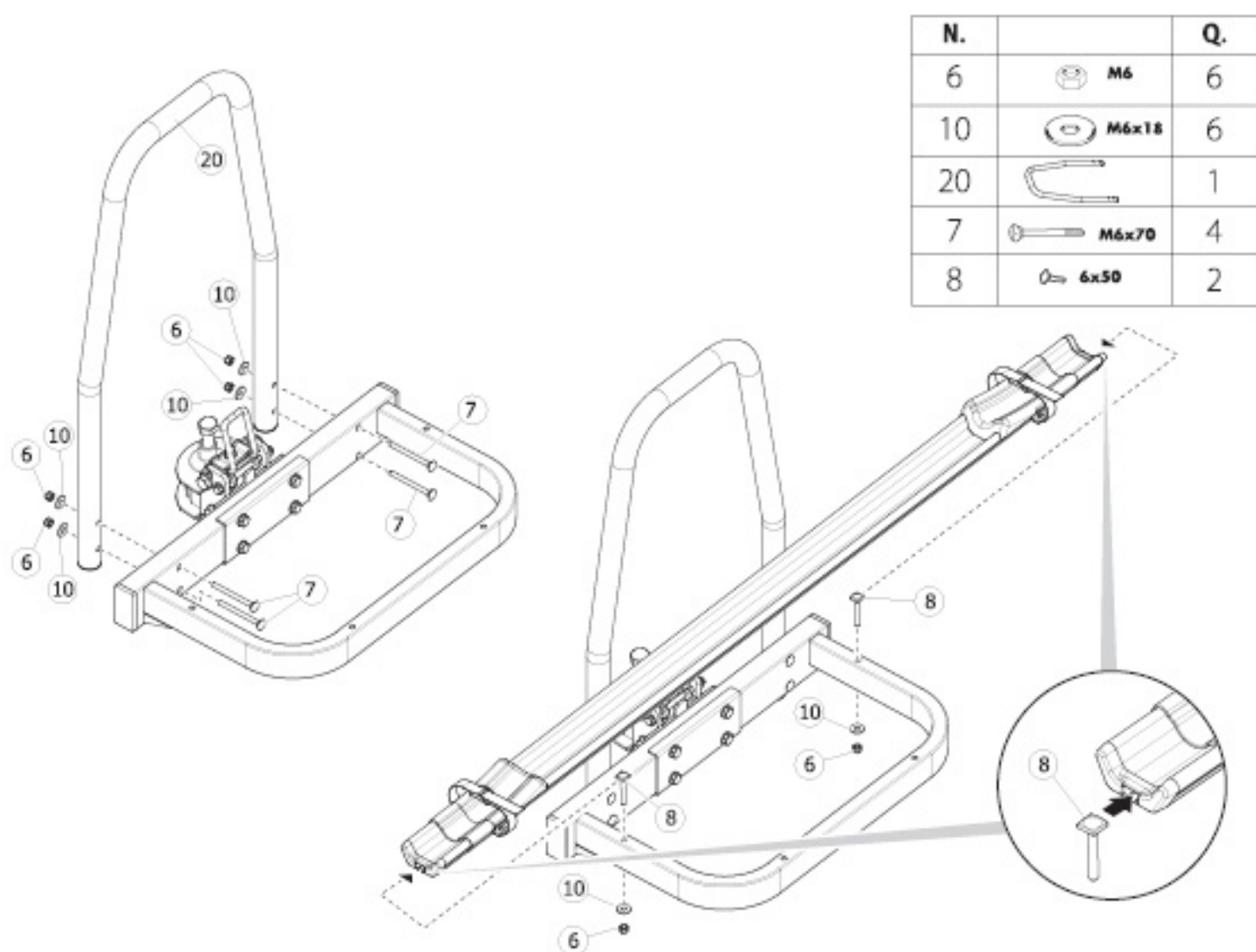
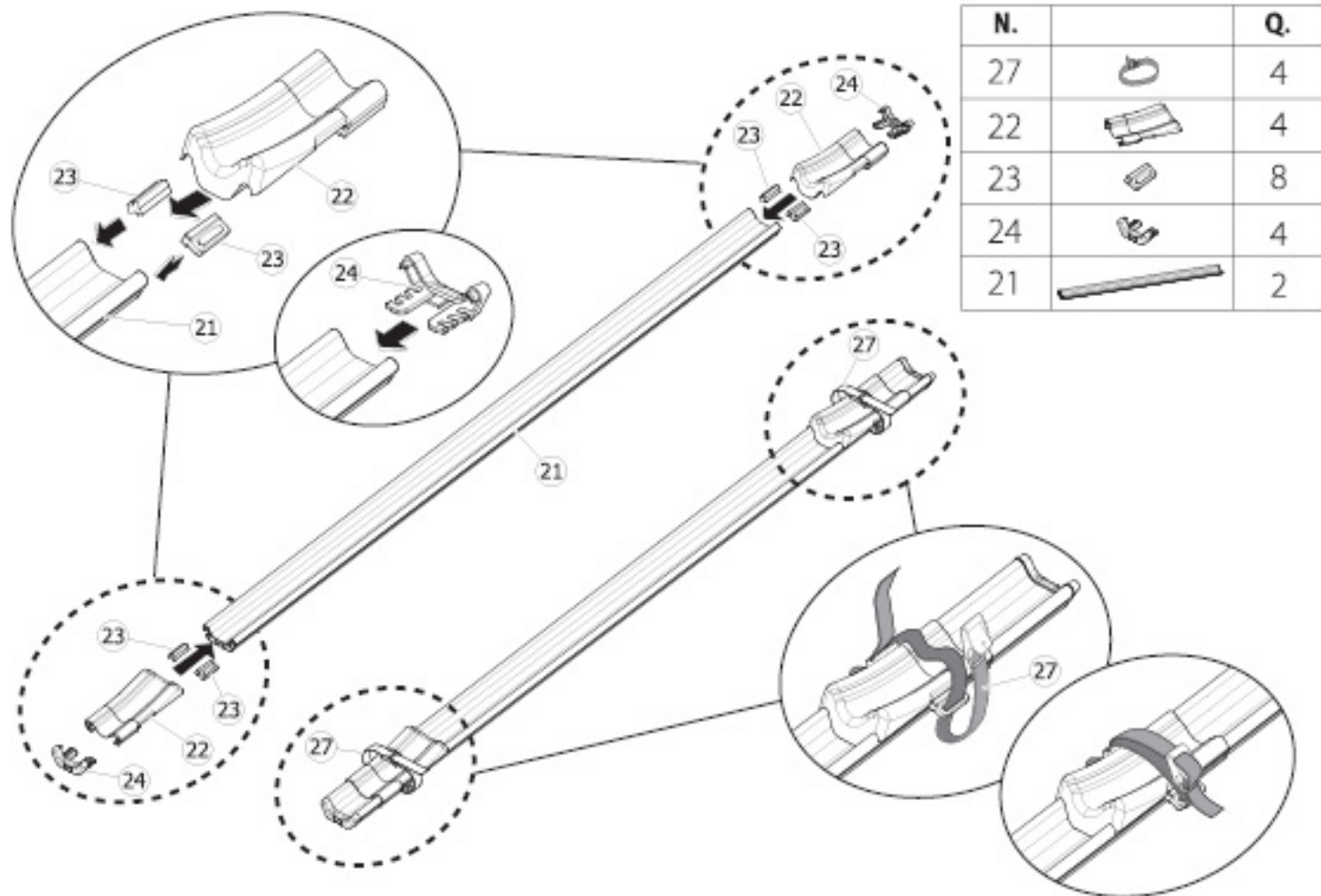
N.		Q.
9	M8	4
13		1
3	M8	8
18		1
19		1
26	M16x70	1
5	M8x50	4

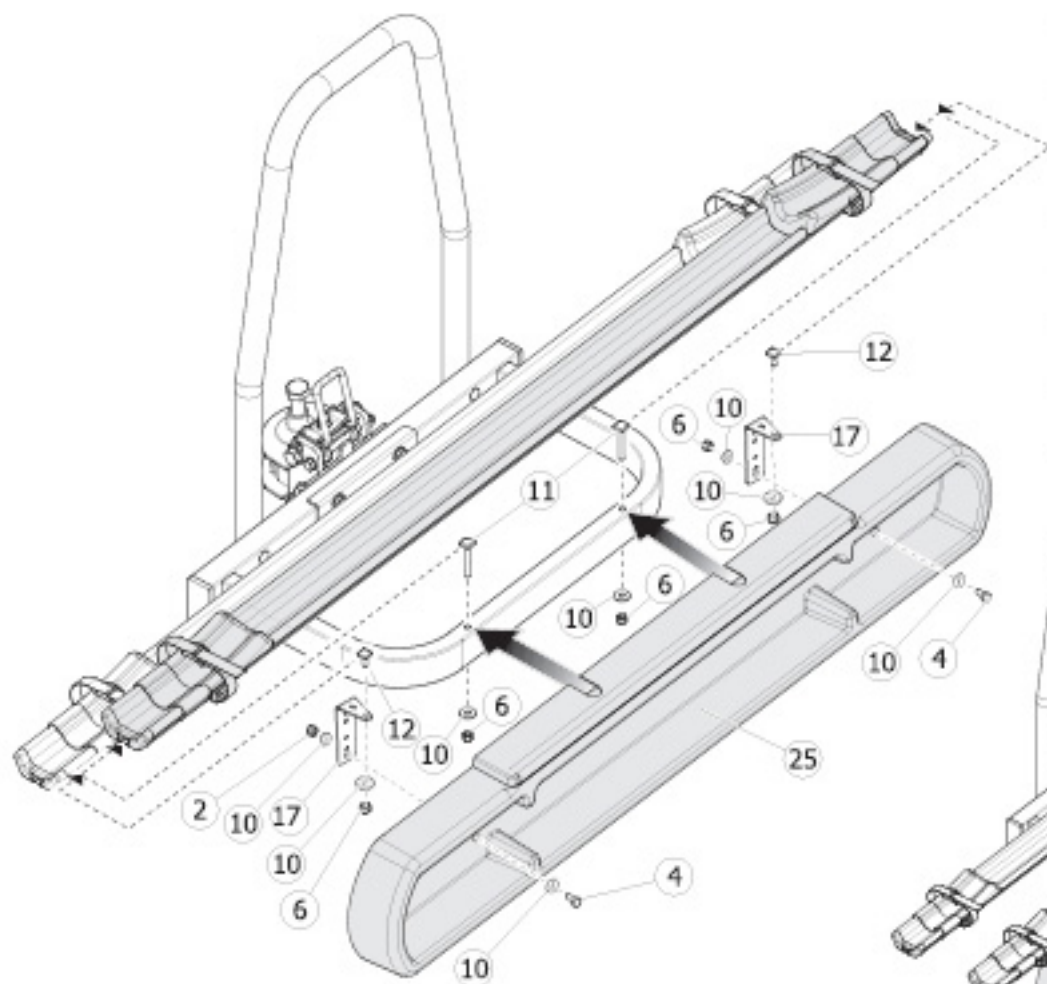
PROJECT TILTING 2



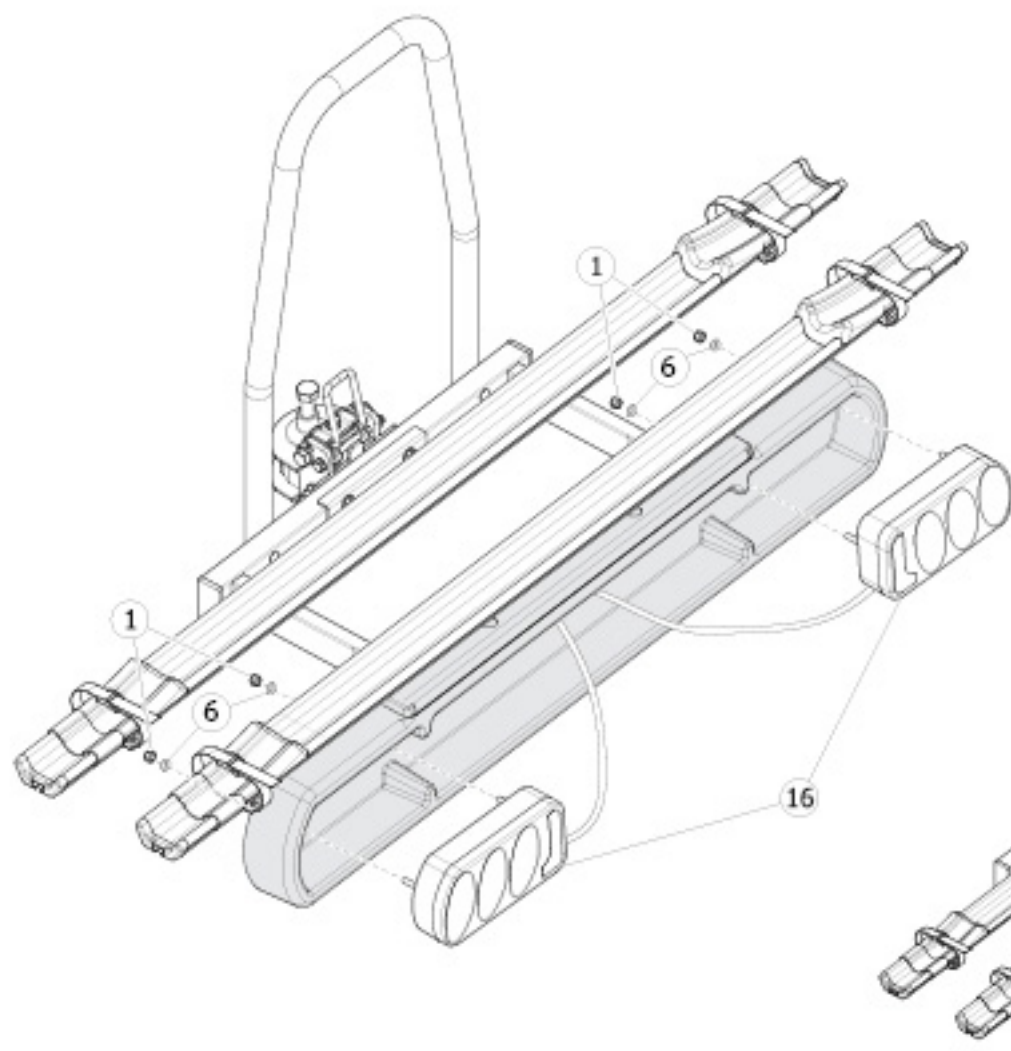
N.		Q.
9	M8	4
3	M8	4
18		1
19		1
5	M8x50	4
30		1
31		1
26	M16x70	1







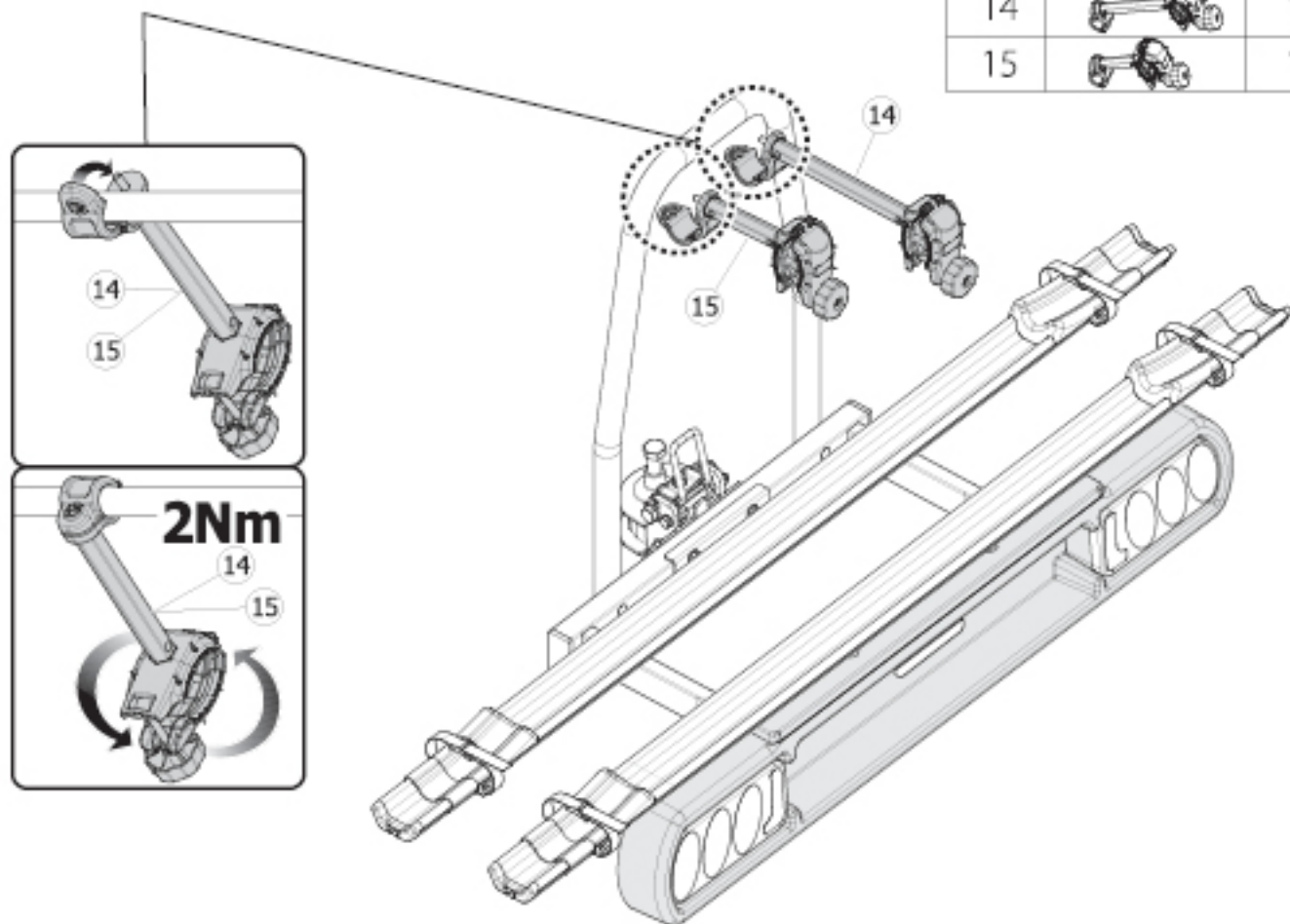


N.		Q.
6	M6	6
10	M6x18	8
17		2
11	6x60	2
12	6x14	2
4	M6x14	2
25		1

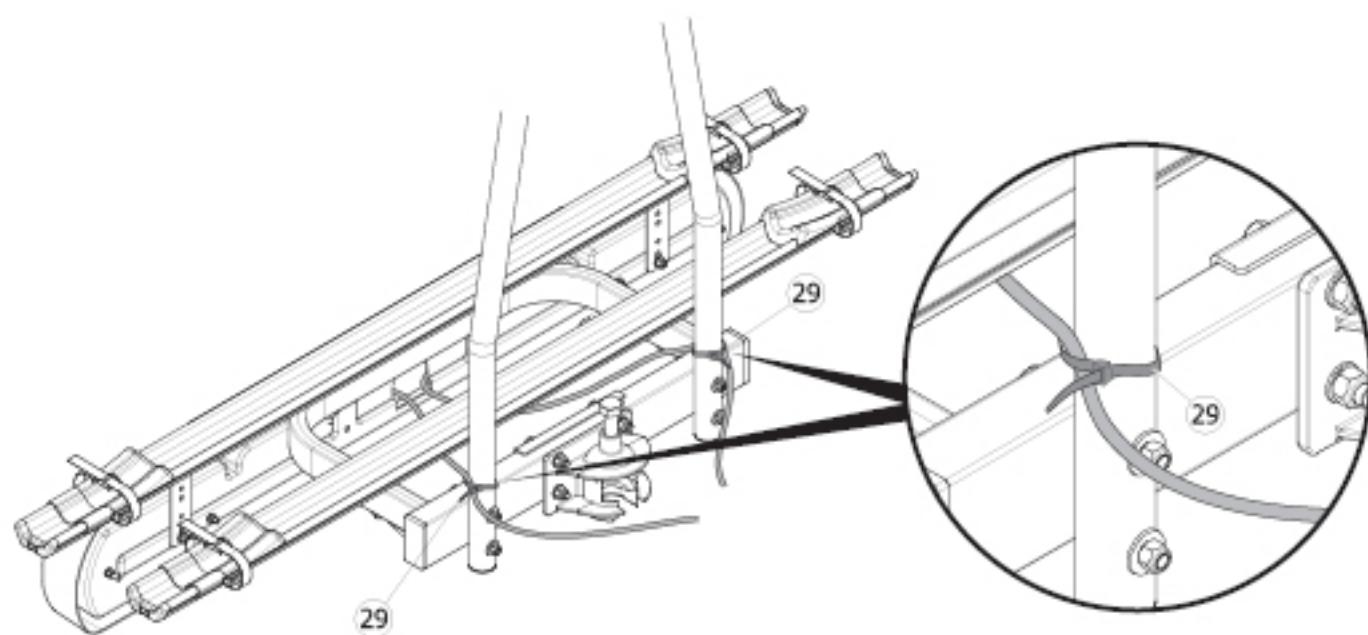


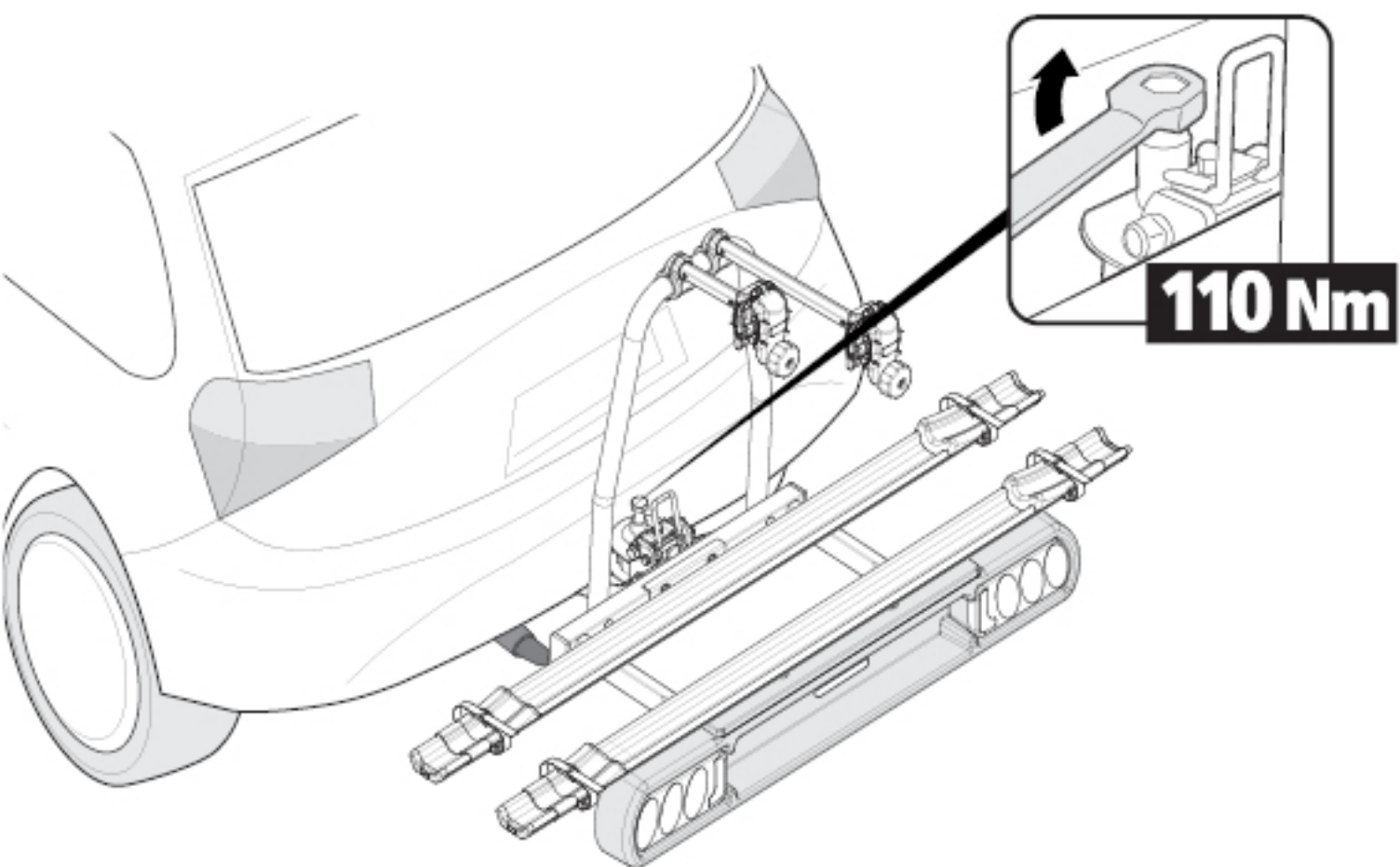
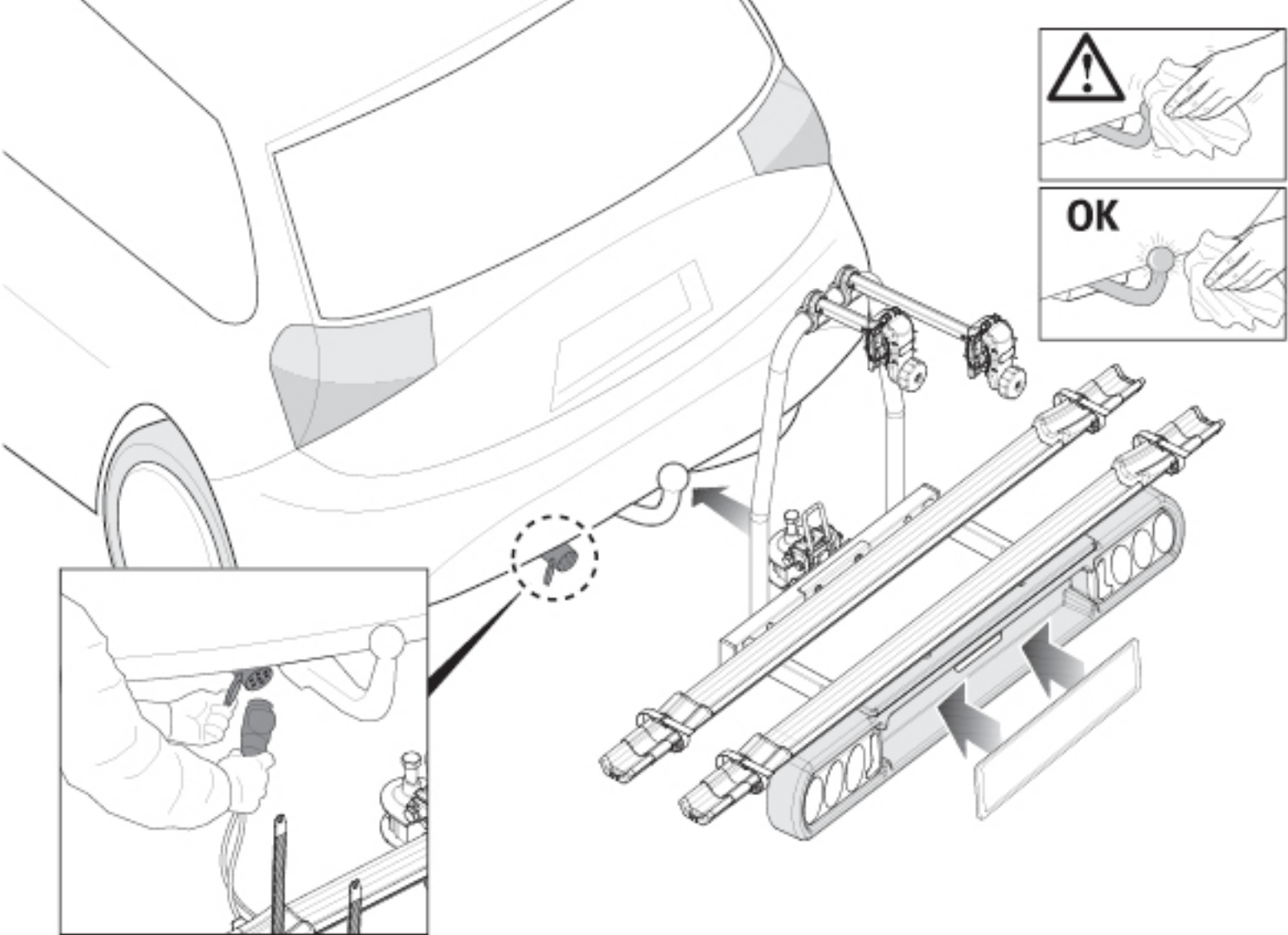
N.		Q.
1	M5	4
16		1
6	M5	4

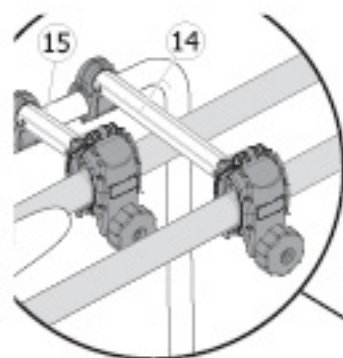
N.		Q.
14		1
15		1





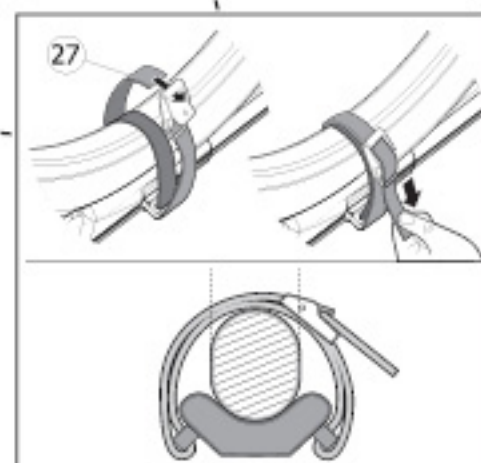
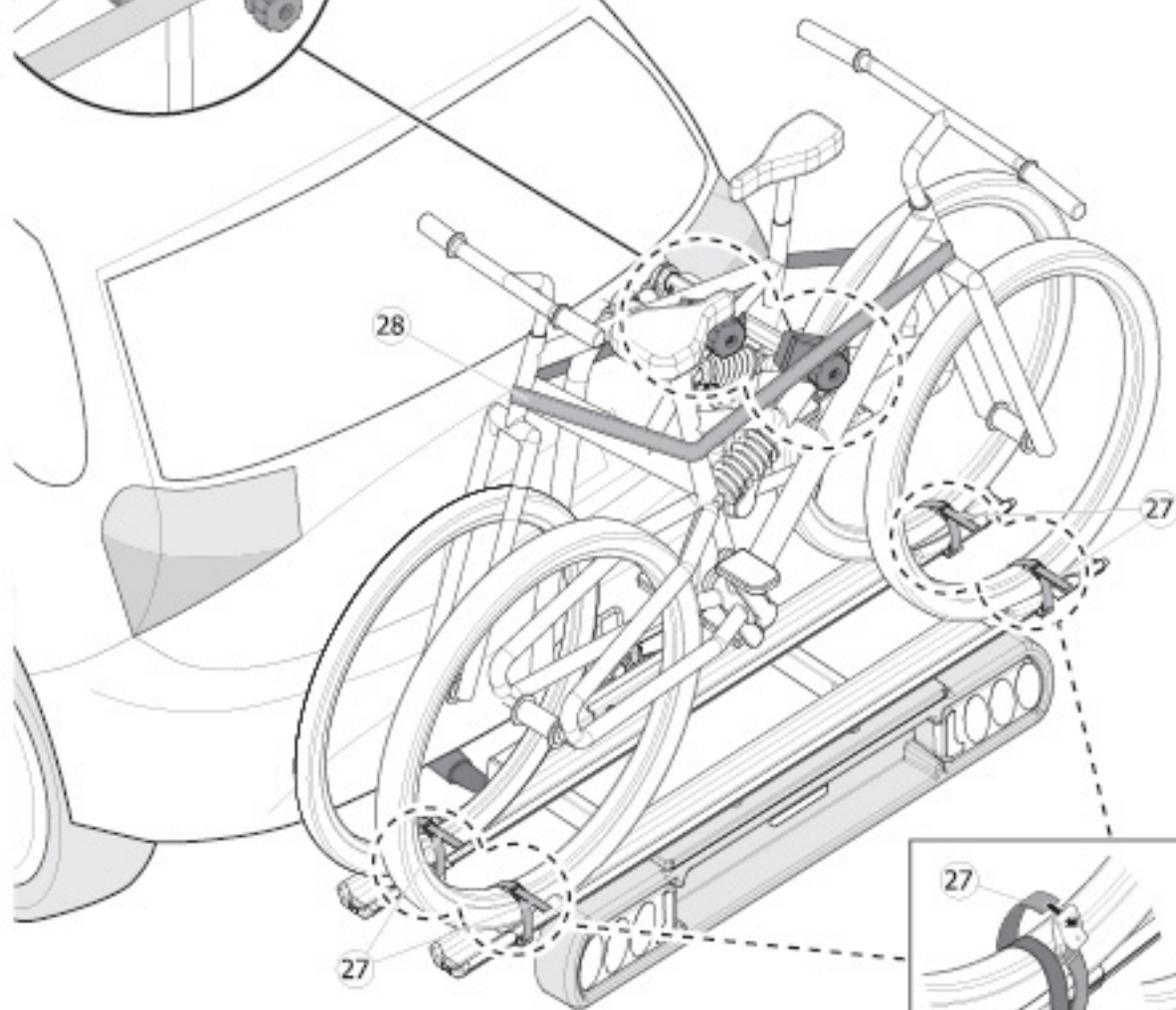
N.		Q.
29		2



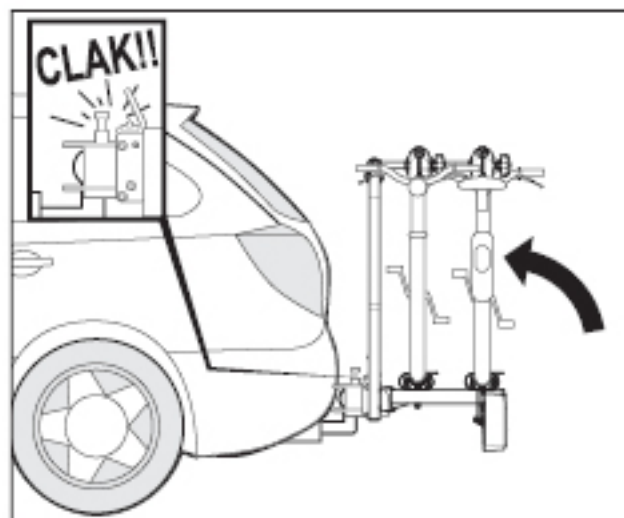
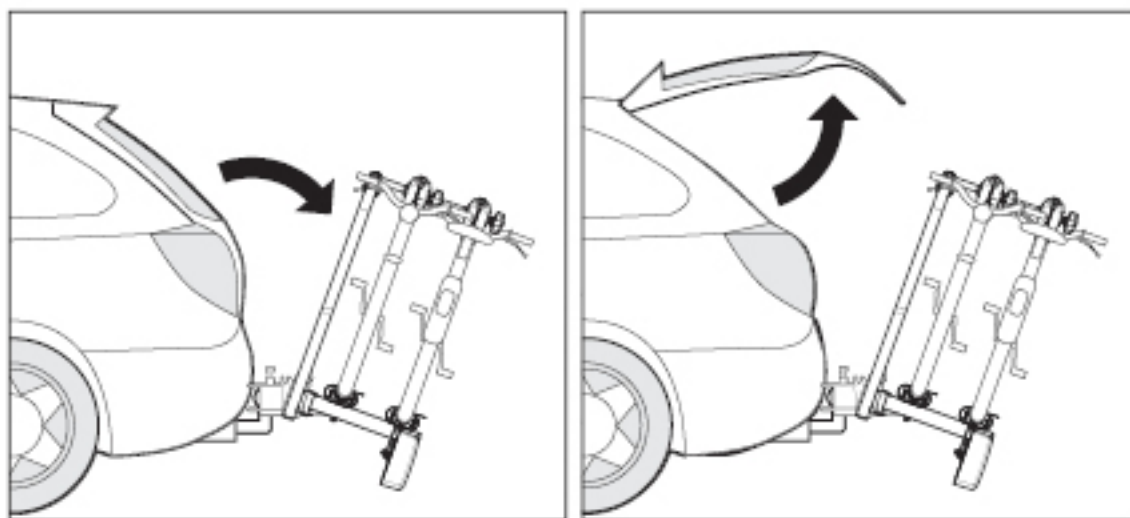
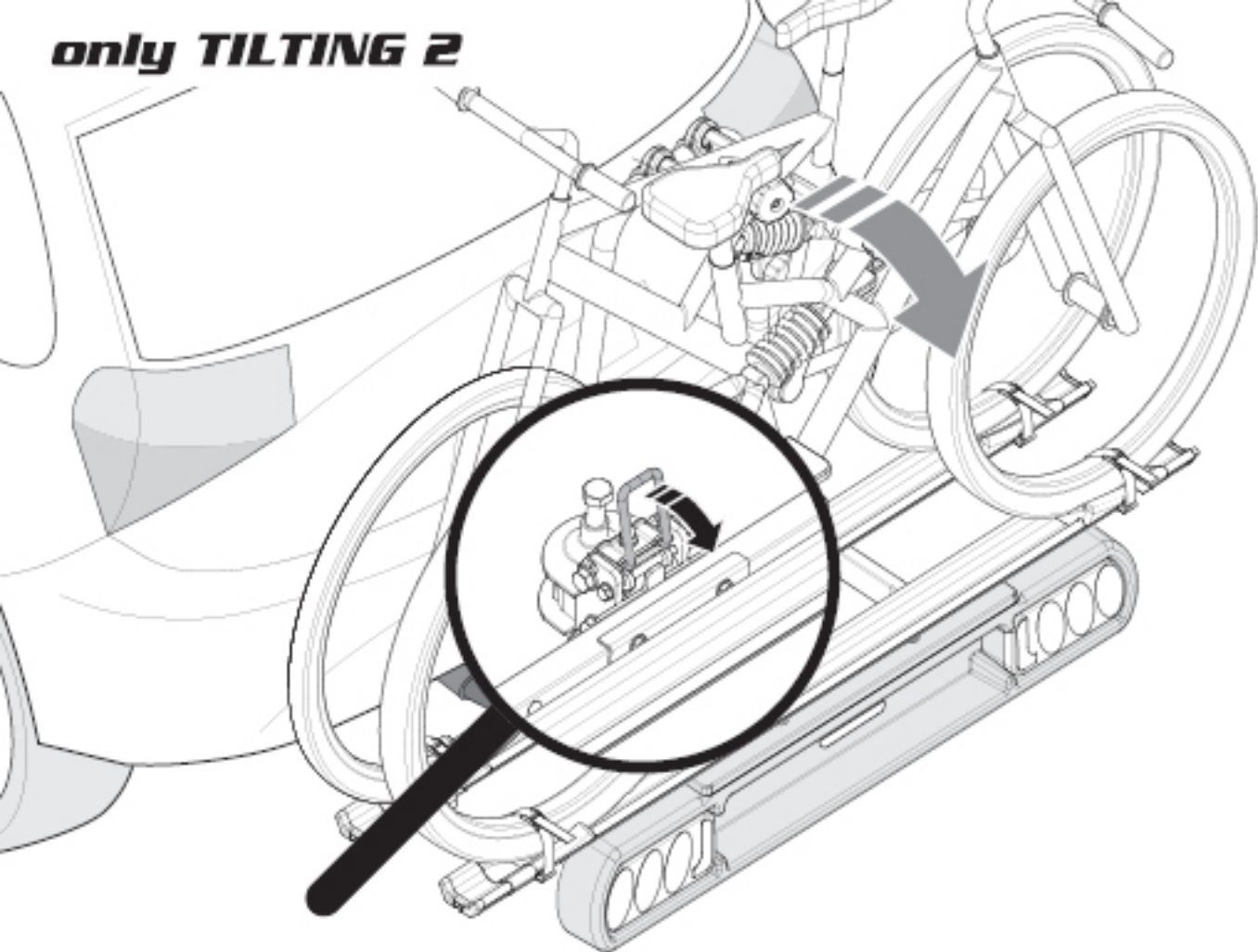


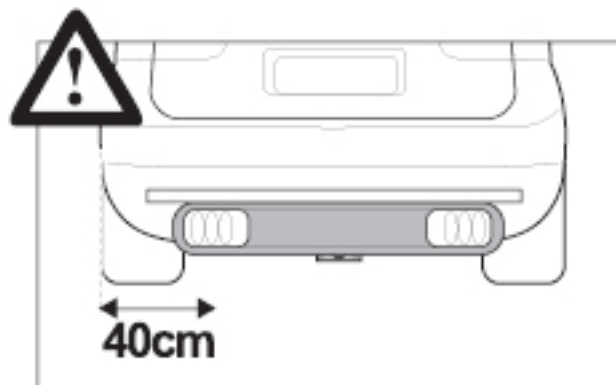


№.		№
28	 MT 2,5	1
27		4



only TILTING 2





94/20/CE STANDARD

		2x		2x
	50 kg > 50 kg	10,3 kg	MAX 30 kg MAX 30 kg	12,2 kg

Cod. Art.	Cod. istr.	Data	Creato da	Approvata da
000015200000 000019800000	100034100001	16/12/2014	NP	EL

MENABO

Via B. Marzo, 3 - Z.I. Corte tegge
 42025 CAVRIGLIO (RE) ITALY
 Tel. +39-0522/942840 c.a. - 942798
 Fax +39-0522/942948
 e-mail: info@fil-menabo.it - http://www.fil-menabo.it