



## Yuasa Technical Data Sheet

### Yuasa GYZ20HL - High Performance Maintenance Free Battery

#### Performance

Voltage	12V
Capacity (10-hour)	20Ah
Capacity (20-hour)	21.1Ah
CCA @ -18°C	320A

#### Dimensions (±2mm)

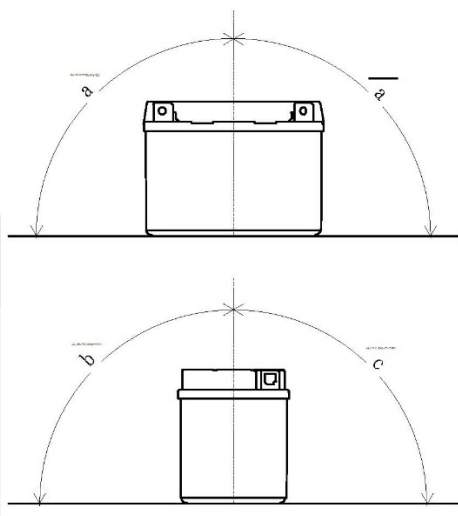
Length	175mm
Width	87mm
Height	155mm

#### Weights & Measures

Mean Weight with Acid	7.1kg
-----------------------	-------

#### Mounting Angle

Angle A	40°
Angle B	90°
Angle C	15°



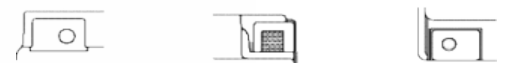
#### Technology

Separator AGM

#### Cell Assembly Layout



#### Terminal Type - 14



Data Sheet generated on 12/12/2016 - E&OE