



Yuasa Technical Data Sheet

Yuasa GYZ32HL - High Performance Maintenance Free Battery

Performance

Voltage	12V
Capacity (10-hour)	32Ah
Capacity (20-hour)	33.7Ah
CCA @ -18°C	500A

Dimensions (±2mm)

Length	166mm
Width	126mm
Height	175mm

Weights & Measures

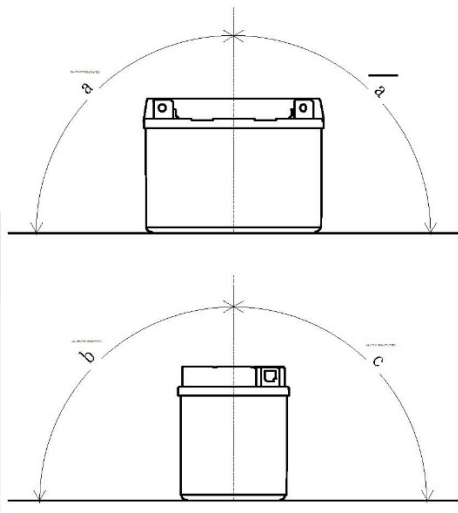
Mean Weight with Acid	11.2kg
-----------------------	--------

Mounting Angle

Angle A	40°
Angle B	90°
Angle C	15°



For Illustration Purposes Only



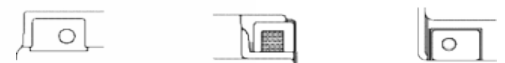
Technology

Separator AGM

Cell Assembly Layout



Terminal Type - 14



Data Sheet generated on 12/12/2016 - E&OE