



Yuasa Technical Data Sheet

Yuasa YB7B-B - YuMicron Battery

Performance

Voltage	12V
Capacity (10-hour)	7Ah
Capacity (20-hour)	7.4Ah
CCA @ -18°C	80A

Dimensions (±2mm)

Length	152mm
Width	61mm
Height	132mm

Weights & Measures

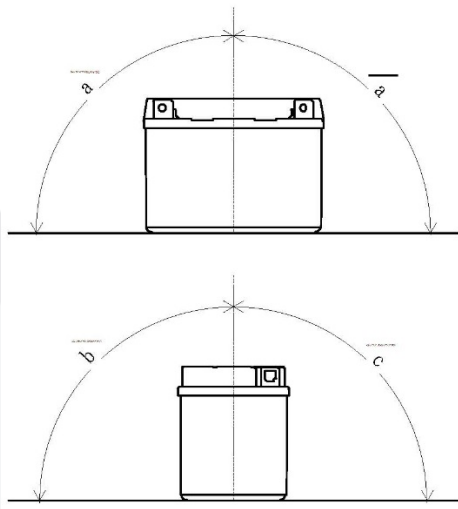
Mean Weight with Acid	3.1kg
Acid Volume	0.5l

Mounting Angle

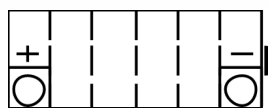
Angle A	Vertical only
Angle B	Vertical only
Angle C	Vertical only



For Illustration Purposes Only



Cell Assembly Layout



Terminal Type - 6



Data Sheet generated on 12/12/2016 - E&OE